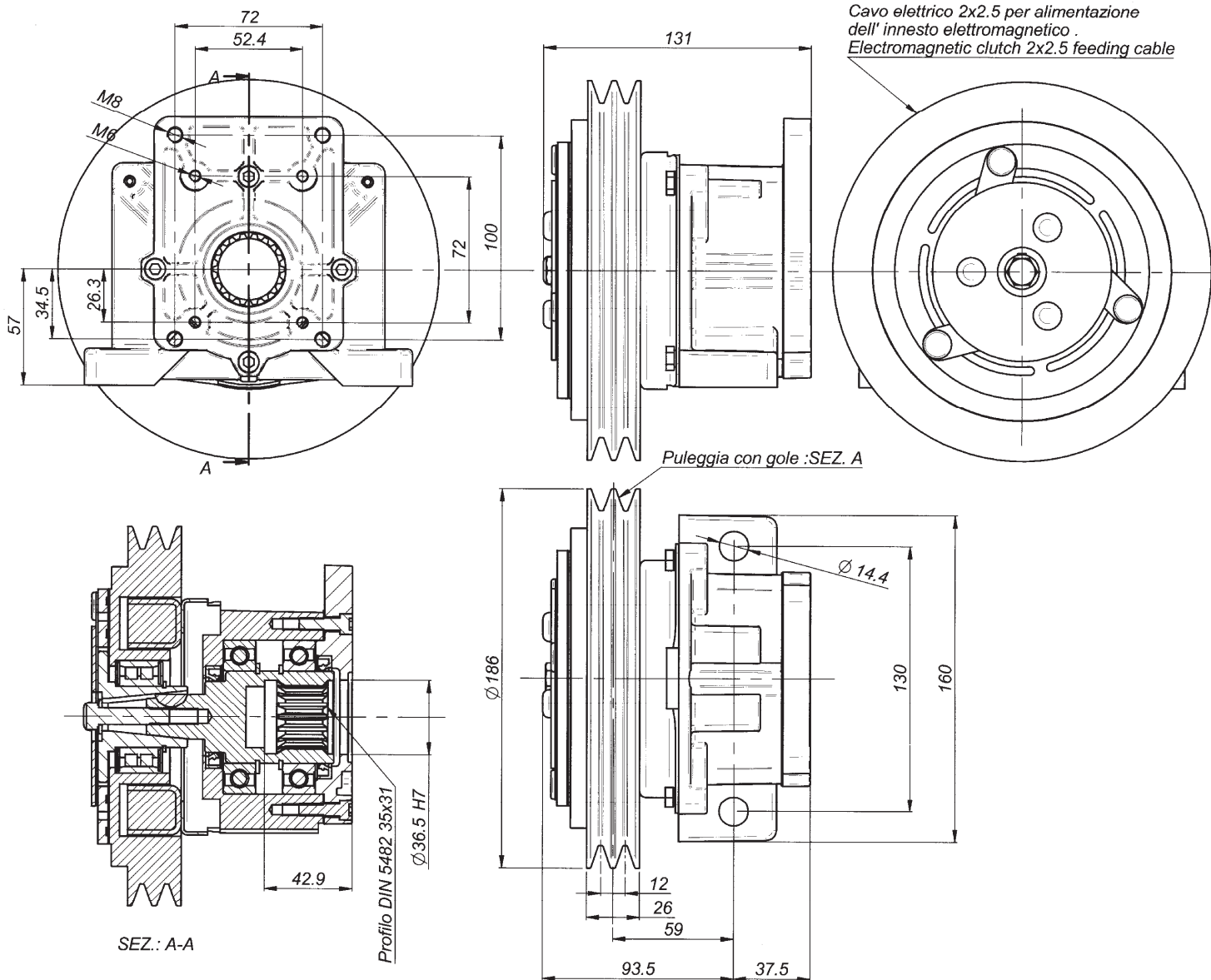


SERIE: 30990 12 Volt

SERIE: 30991 24 Volt



| Nominal torque | 16,0 daNm | | Connection time | 25 m/sec | | |
|---------------------|-------------------------|-------------|-------------------------------------|----------|-------------|--------|
| Static torque | 21,0 daNm | | Disconnection time | 40 m/sec | | |
| Dynamic torque | 14,5 daNm | at 500 rpm | Minimum time between two connection | 20 sec | | |
| | 12,0 daNm | at 1000 rpm | | | | |
| | 9,5 daNm | at 1500 rpm | | | | |
| | 8,8 daNm | at 2000 rpm | Max speed | 5000 rpm | | |
| | 8,0 daNm | at 2500 rpm | Weight | 8 Kg | | |
| | 7,8 daNm | at 3000 rpm | | | | |
| Electric absorption | Resistance (Ω) | | Current (A) | | Power (W) | |
| | 20° C | 120° C | 20° C | 120° C | 20° C | 120° C |
| 12 V DC | 2,96 | 3,97 | 4,05 | 2,71 | 48,70 | 32,50 |
| 24 V DC | 12,30 | 16,60 | 1,95 | 1,31 | 47,00 | 30,70 |

All technical data are at 20°C / at 120 °C the performance are less 20%
All electromagneteic clutches are reversible.