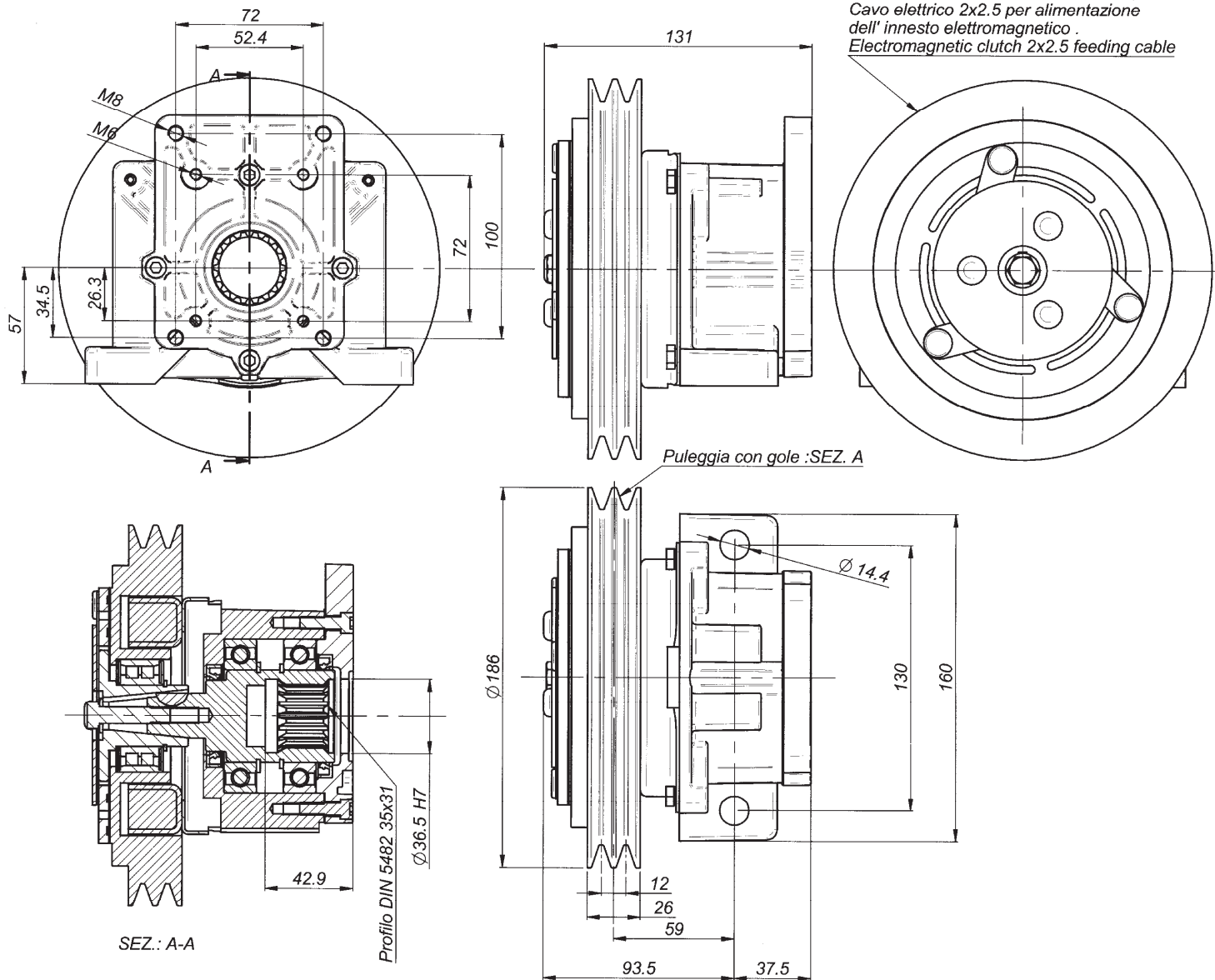


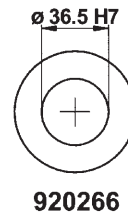
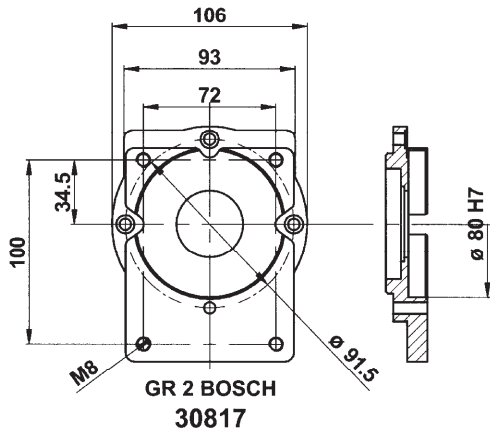
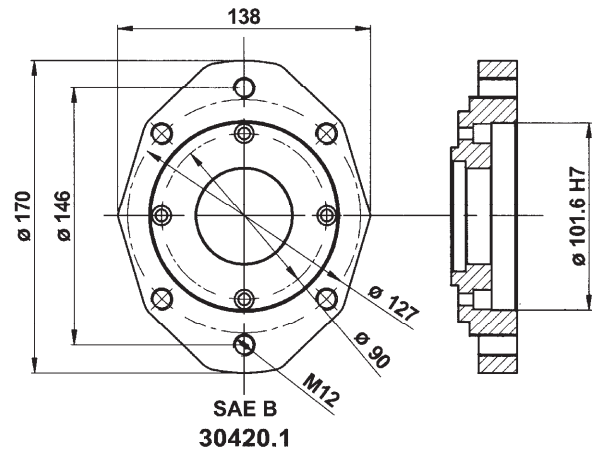
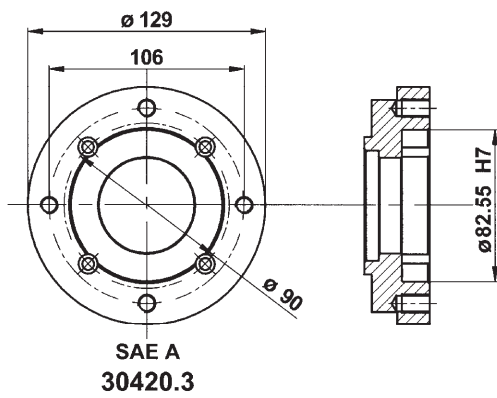
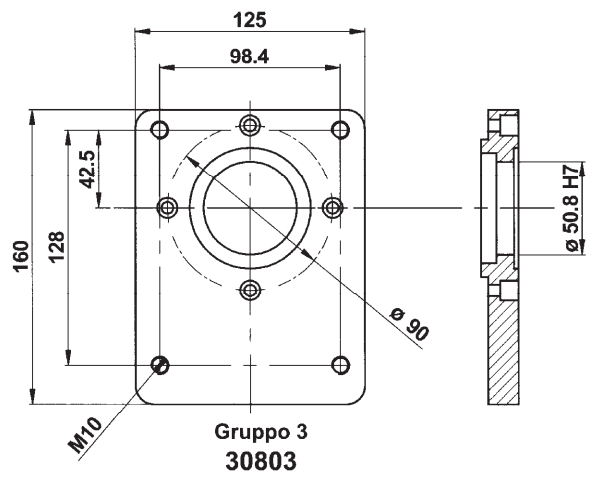
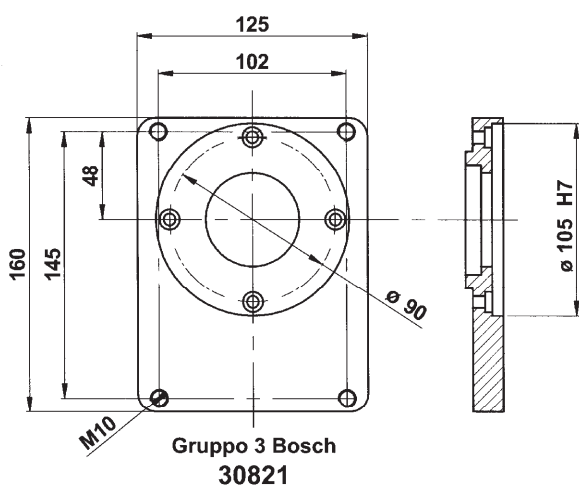
SERIE: 30990 12 Volt

SERIE: 30991 24 Volt



Nominal torque	16,0 daNm		Connection time	25 m/sec		
Static torque	21,0 daNm		Disconnection time	40 m/sec		
Dynamic torque	14,5 daNm	at 500 rpm	Minimun time between two connection	20 sec		
	12,0 daNm	at 1000 rpm				
	9,5 daNm	at 1500 rpm				
	8,8 daNm	at 2000 rpm	Max speed	5000 rpm		
	8,0 daNm	at 2500 rpm	Weight	8 Kg		
	7,8 daNm	at 3000 rpm				
Electric absorption	Resistance (Ω)		Current (A)		Power (W)	
	20° C	120° C	20° C	120° C	20° C	120° C
12 V DC	2,96	3,97	4,05	2,71	48,70	32,50
24 V DC	12,30	16,60	1,95	1,31	47,00	30,70

All technical data are at 20°C / at 120 °C the performance are less 20%
All electromagneteic clutches are reversible.



CODICE, CODE, CODE No., CODENUMMER

Electric absorption	FLANGIA: TIPO, BRIDE: TYPE, FLANGE: TYPE, FLANSCHTYPE				
	Gr.2 BOSCH	Gr.3	Gr. 3 BOSCH	SAE A	SAE B
12 Volt	30990/2B	30992	30992/3B	30990/SA	30990/SB
24 Volt	30991/2B	30993	30993/3B	30991/SA	30991/SB