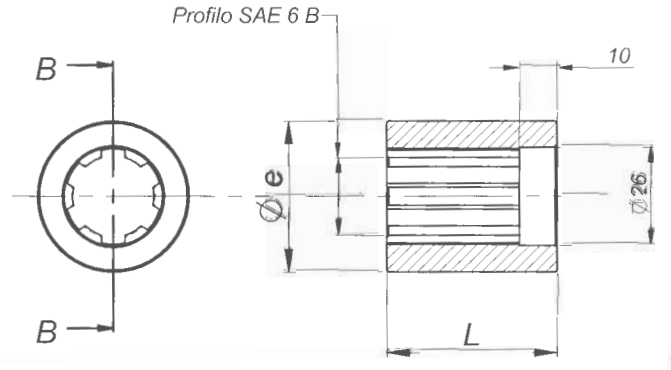


SEZ.: A-A



SEZ.: B-B

| Codice<br>Code<br>Code No.<br>Codenummer | Motore<br>Moteur<br>Motor<br>Motor | $\phi e$ | $\phi i$ | L  | C  |
|--|------------------------------------|----------|----------|----|----|
| 34100                                    | DANFOSS                            | 40       | 25       | 43 | 8  |
| 34101                                    | DANFOSS                            | 40       | 25       | 50 | 8  |
| 34104                                    | DANFOSS                            | 50       | 32       | 50 | 10 |
|  |                                    |          |          |    |    |
|  |                                    |          |          |    |    |
|  |                                    |          |          |    |    |
|  |                                    |          |          |    |    |
|  |                                    |          |          |    |    |
|  |                                    |          |          |    |    |
|  |                                    |          |          |    |    |
|  |                                    |          |          |    |    |
|  |                                    |          |          |    |    |
|  |                                    |          |          |    |    |
|  |                                    |          |          |    |    |
|  |                                    |          |          |    |    |
|  |                                    |          |          |    |    |
|  |                                    |          |          |    |    |
|  |                                    |          |          |    |    |
|  |                                    |          |          |    |    |
|  |                                    |          |          |    |    |
|  |                                    |          |          |    |    |
|  |                                    |          |          |    |    |
|  |                                    |          |          |    |    |

| Codice<br>Code<br>Code No.<br>Codenummer | Motore<br>Moteur<br>Motor<br>Motor | $\phi e$ | L  |  |  |
|--|------------------------------------|----------|----|--|--|
| 34105                                    | DANFOSS                            | 40       | 45 |  |  |
| 34106                                    | DANFOSS                            | 40       | 37 |  |  |
|  |                                    |          |    |  |  |
|  |                                    |          |    |  |  |
|  |                                    |          |    |  |  |
|  |                                    |          |    |  |  |
|  |                                    |          |    |  |  |
|  |                                    |          |    |  |  |
|  |                                    |          |    |  |  |
|  |                                    |          |    |  |  |
|  |                                    |          |    |  |  |
|  |                                    |          |    |  |  |
|  |                                    |          |    |  |  |
|  |                                    |          |    |  |  |
|  |                                    |          |    |  |  |
|  |                                    |          |    |  |  |
|  |                                    |          |    |  |  |
|  |                                    |          |    |  |  |
|  |                                    |          |    |  |  |
|  |                                    |          |    |  |  |
|  |                                    |          |    |  |  |
|  |                                    |          |    |  |  |
|  |                                    |          |    |  |  |