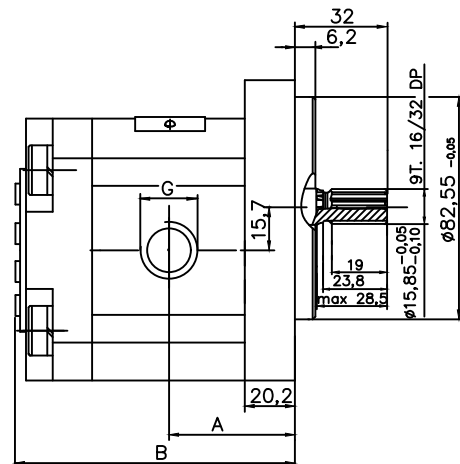
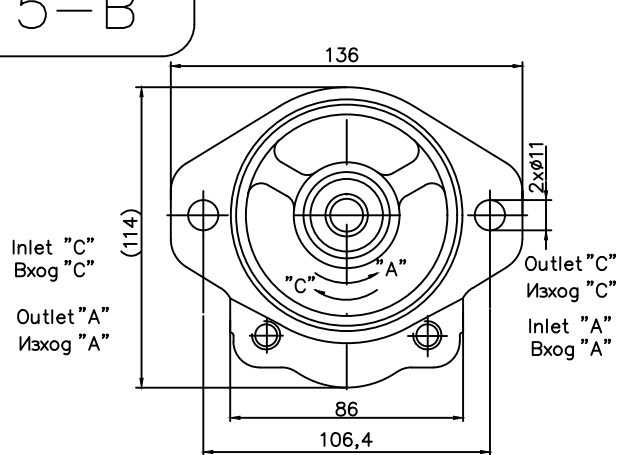


A(C)...X4T5-B



Type Тун	Dimensions Размеры [mm,inch]										Technical data; Технически данни			
	A	B	Inlet Вхог				Outlet Изхог				displacement геометричен обем	nom.pressure номинално налягане	speed диапазон на оборотите	
			E	d	F	G	E	d	F	G				
A(C)4X4T5-B	43,7	92,2				G1/2"					G1/2"	4	250	700...3500
A(C)5X4T5-B	44,5	93,7				G1/2"					G1/2"	5	250	700...3500
A(C)6X4T5-B	45,2	95,2				G1/2"					G1/2"	6	250	700...3500
A(C)9X4T5-B	47,2	99,2				G1/2"					G1/2"	9	250	700...3500
A(C)10X4T5-B	48,2	101,2				G3/4"					G1/2"	10	250	700...3500
A(C)11X4T5-B	49,2	103,2				G3/4"					G1/2"	11	250	700...3500
A(C)12X4T5-B	50,2	105,2				G3/4"					G1/2"	12	250	700...3500
A(C)14X4T5-B	52,2	109,2				G3/4"					G1/2"	14	250	700...3500
A(C)15X4T5-B	53	110,7				G3/4"					G1/2"	15	250	700...3000
A(C)16X4T5-B	53,7	112,2				G3/4"					G1/2"	16	250	700...3000
A(C)17X4T5-B	54,2	113,2				G3/4"					G1/2"	17	250	700...3000
A(C)19X4T5-B	56,2	117,2				G3/4"					G1/2"	19	200	700...2500
A(C)22X4T5-B	59,2	123,2				G3/4"					G1/2"	22	200	700...2500
A(C)25X4T5-BH	66	136,2				G3/4"					G1/2"	25	160	700...2000
A(C)26X4T5-BH	66,7	138,2				G3/4"					G1/2"	26	160	700...2000
A(C)28X4T5-BH	68,7	142				G3/4"					G3/4"	28	160	700...2000
A(C)32X4T5-BH	71,7	148				G1"					G3/4"	32	160	700...2000