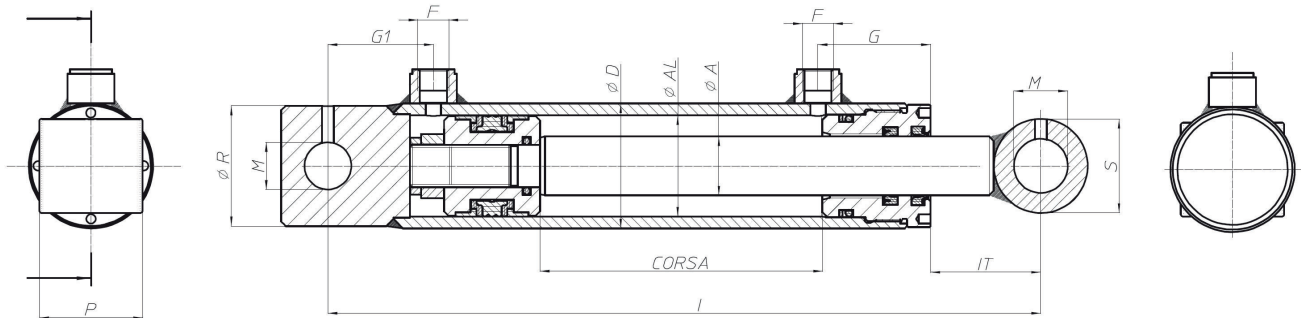


Double Acting Cylinders

ROD/BORE SIZES 16/25, 20/32, 25/40, & 30/50



Part Number	D	AL Bore	A Rod	Stroke mm	I	G	G1	IT	M	S	P	R	F bsp	KG
DA25160050	35	25	16	50	160	33	22	31	12.1	25	25	35	1/4"	1.00
DA25160100				100	210									1.20
DA25160150				150	260									1.40
DA25160200				200	310									1.70
DA32200050	42	32	20	50	205	33	35	51	16.2	30	35	40	1/4"	1.70
DA32200100				100	255									2.10
DA32200150				150	305									2.40
DA32200200				200	355									2.80
DA32200250				250	405									3.10
DA32200300				300	455									3.50
DA32200400				400	555									4.20
DA32200500				500	655									4.80
DA32200600				600	755									5.60
DA32200700				700	855									6.30
DA40250100				50	40									25
DA40250150	150	320	3.40											
DA40250200	200	370	3.90											
DA40250250	250	420	4.40											
DA40250300	300	470	4.80											
DA40250400	400	570	5.80											
DA40250500	500	670	6.70											
DA40250600	600	770	7.60											
DA40250700	700	870	8.60											
DA40250800	800	970	9.50											
DA40251000	1000	1170	11.30											
DA50300100	60	50	30	100	300	43	42	85	25.25	40	45	60	3/8"	4.40
DA50300150				150	350									5.00
DA50300200				200	400									5.60
DA50300250				250	450									6.20
DA50300300				300	500									6.90
DA50300400				400	600									8.10
DA50300500				500	700									9.30
DA50300600				600	800									10.50
DA50300700				700	900									11.80
DA50300800				800	1000									13.00
DA50300900				900	1100									14.20
DA50301000	1000	1200	15.50											

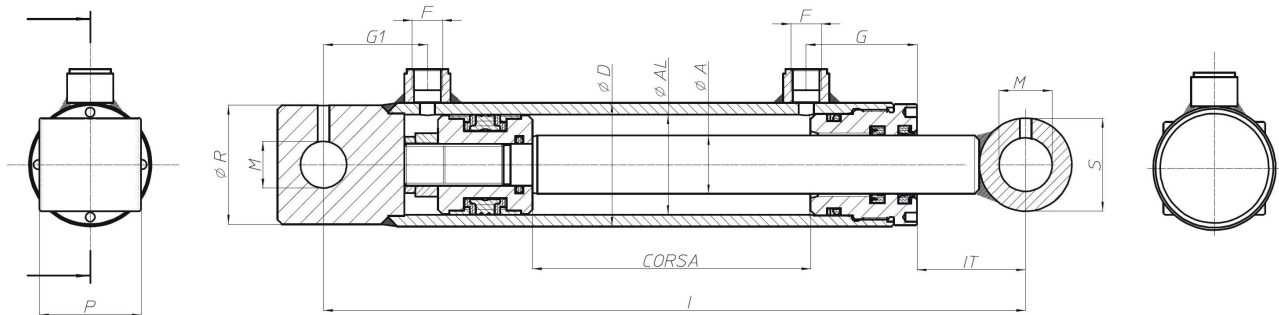
TEL. 0118 978 2555

FAX. 0118 978 2545

SALES@HYCON.CO.UK

Double Acting Cylinders

ROD/BORE SIZES 30/60, 35/60, & 40/70



SALES@HYCON.CO.UK

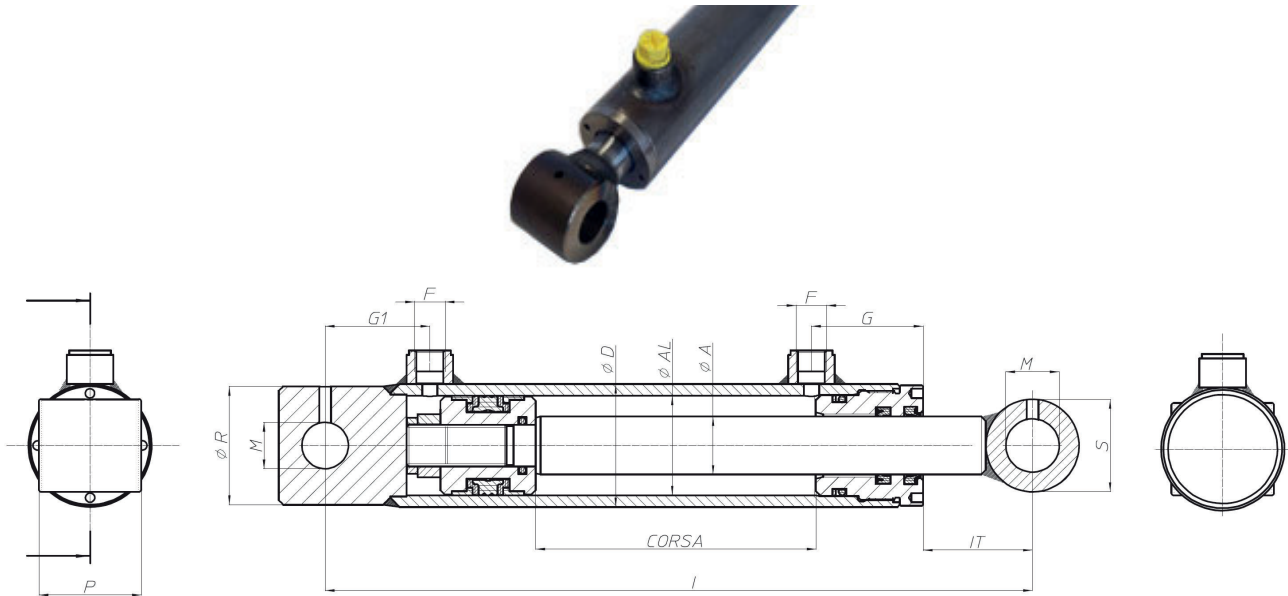
FAX. 0118 978 2545

TEL. 0118 978 2555

Part Number	D	AL Bore	A Rod	Stroke mm	I	G	G1	IT	M	S	P	R	F bsp	KG
DA60300100	70	60	30	100	300	50	36	83	25.25	40	45	70	3/8"	5.60
DA60300150				150	350									6.30
DA60300200				200	400									7.00
DA60300250				250	450									7.70
DA60300300				300	500									8.30
DA60300350				350	550									9.00
DA60300400				400	600									9.70
DA60300450				450	650									10.40
DA60300500				500	700									11.00
DA60300600				600	800									12.40
DA60300700	700	900	13.70											
DA60350100	70	60	35	100	300	50	36	83	25.25	40	45	70	3/8"	5.90
DA60350150				150	350									6.65
DA60350200				200	400									7.50
DA60350250				250	450									8.20
DA60350300				300	500									9.55
DA60350350				350	550									10.10
DA60350400				400	600									11.10
DA60350500				500	700									12.65
DA60350600				600	800									14.20
DA60350700				700	900									15.75
DA60350800	800	1000	17.50											
DA60350900	900	1100	19.00											
DA60351000	1000	1200	20.50											
DA70400200	80	70	40	200	410	50	46	82	30.25	50	55	80	3/8"	10.45
DA70400250				250	460									11.37
DA70400300				300	510									12.31
DA70400350				350	560									13.30
DA70400400				400	610									14.22
DA70400450				450	660									15.20
DA70400500				500	710									16.11
DA70400600				600	810									18.12
DA70400700				700	910									19.94
DA70400800				800	1010									21.50
DA70400900	900	1110	23.50											
DA70401000	1000	1210												

Double Acting Cylinders

ROD/BORE SIZES 40/80 & 50/100



Part Number	D	AL Bore	A Rod	Stroke mm	I	G	G1	IT	M	S	P	R	F bsp	KG
DA80400200	92	80	40	200	410	60	42	70	30.25	50	55	90	3/8"	13.26
DA80400250				250	460									14.46
DA80400300				300	510									15.54
DA80400350				350	560									17.62
DA80400400				400	610									18.00
DA80400500				500	710									20.00
DA80400600				600	810									22.00
DA80400700				700	910									24.50
DA80400800				800	1010									26.50
DA80400900				900	1110									29.00
DA804001000	1000	1210	31.00											
DA100500200	115	100	50	200	425	66	45	75	30.25	60	70	115	1/2"	26.00
DA100500300				300	525									30.00
DA100500400				400	625									34.00
DA100500500				500	725									38.00
DA100500700				700	925									41.10
DA100500900				900	1125									45.00
DA1005001000				1000	1225									52.00

TEL. 0118 978 2555

FAX. 0118 978 2545

SALES@HYCON.CO.UK