

# SERIE FR

**IT** Filtri aspirazione olio idraulico immersi nel serbatoio con attacco filettato, specifici per mini centraline e piccole portate (ideali per spazi ridotti).

## CARATTERISTICHE TECNICHE:

- Fondelli + attacchi: acciaio zincato.
- Tubo interno (ove presente): lamiera forata in acciaio zincato.
- Attacchi disponibili standard: da 1/4" a 1" ("bspp"). "Npt" o altre filettature su richiesta.
- Elementi filtranti disponibili standard: 60-90-120-250-500 Micron nom. Tela metallica. Altre filtrazioni su richiesta.
- Tubi pescaggio fornibili su richiesta.
- Temperatura esercizio: da -30°C a +110°C.
- Pressione collasso: 1 bar.
- Test eseguiti secondo normative: ISO 2941 / ISO 3724 / ISO 3968.

**EN** Threaded tank-immersed suction oil filters, specific for mini powerpacks and small flow rates (ideal for narrow spaces).

## TECHNICAL FEATURES:

- Connections + caps: galvanized steel.
- Inner pipe (where present): galvanized perforated plate.
- Standard available threads: from 1/4" to 1" ("bspp"). "Npt" or other threads available upon request.
- Standard available filter elements: 60-90-120-250-500 Micron nom. wire mesh. Other filtrations upon request.
- Suction pipes available upon request.
- Working temperature: from -30°C to +110°C.
- Collapse pressure: 1 bar.
- Tested according standards: ISO 2941 / ISO 3724 / ISO 3968.

**D** Eingetauchsaugfilter mit Gewindeanschluß, spezifisch für Miniaggregate und kleine Durchflüsse (ideal für enge Räume).

## TECHNISCHE DATEN:

- Endkappe + Anschluß: verzinktem Stahl.
- Innen Rohr (falls vorhanden): verzinktem Lochblech.
- Standard Anschlußgewinde: von 1/4" bis 1" („bspp“). „npt“ oder weitere Gewinden auf Anfrage erhältlich.
- Standard Filterelemente: 60-90-120-250-500 Mikron nom. Drahtgewebe. Weitere Materialien auf Anfrage erhältlich.
- Saugleitungen auf Anfrage erhältlich.
- Betriebstemperatur: von -30°C bis +110°C.
- Kollapsdrücke: 1 bar.
- Test nach Normen: ISO 2941 / ISO 3724 / ISO 3968.

**FR** Crepines d'aspiration, spécifiques pour mini centrales et petits débits (idéales pour espaces étroits).

## CARACTERISTIQUES TECHNIQUES:

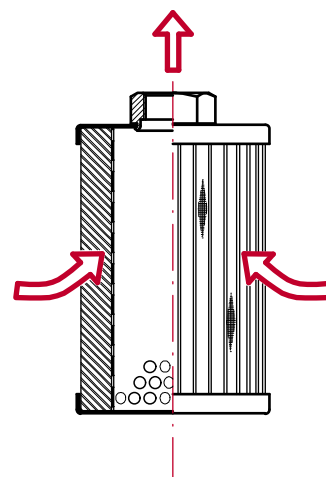
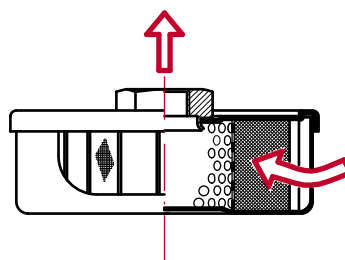
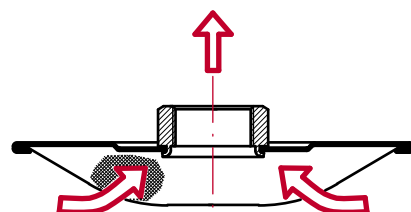
- Flasques + connexions: acier zingué.
- Tube central (si present): toles perforée en acier zingué.
- Raccordements standard: de 1/4" à 1" („bspp“). „Npt“ ou autres filetages disponibles sur demande.
- Eléments filtrants standard: 60-90-120-250-500 Micron nom. Toile métallique. Autres matériaux disponibles sur demande.
- Tubes d'aspiration disponibles sur demande.
- Temperature de travaille: de -30°C à +110°C.
- Pression d'écrasement: 1 bar.
- Test selon standards: ISO 2941 / ISO 3724 / ISO 3968.

**ES** Filtros en aspiración sumergidos, específicas para minicentrales y bajas caudales (ideales para espacios reducidos).

## CARACTERÍSTICAS TÉCNICAS:

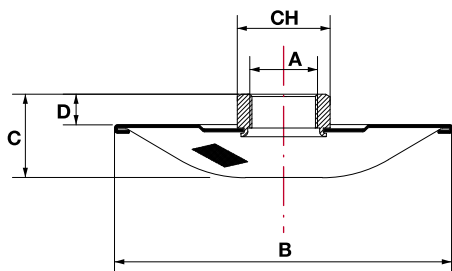
- Fondos y conexiones: acero cincado.
- Tubo interno (si presente): chapa perforada en acero cincado.
- Conexiones disponibles estandar: de 1/4" a 1" („bspp“). „Npt“ o otras conexiones bajo pedido.
- Elemento filtrante disponible estandar: 60-90-120-250-500 micras nom. tela metálica. Otras filtraciones bajo pedido.
- Tubos aspiración disponibles bajo pedido.
- Temperatura de ejercicio: de -30°C a +110°C.
- Presión de colapso: 1 bar.
- Controles seguidos según normativas: ISO 2941 / ISO 3724 / ISO 3968.

PER MINICENTRALINE E PICCOLE PORTATE  
FOR MINI POWERPACKS AND SMALL FLOW RATES  
FÜR MINIAGGREGATE UND KLEINE DURCHFLÜSSE  
POUR MINI CENTRALES ET PETITS DÉBITS  
POUR MINICENTRALES Y BAJOS CAUDALES

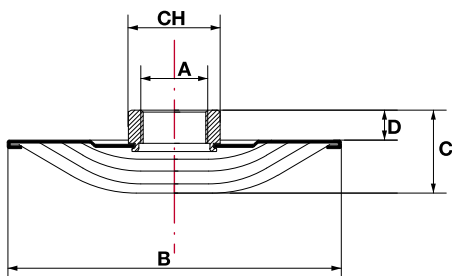


## FILTRI IN ASPIRAZIONE PER MINICENTRALINE SUCTION FILTERS FOR MINI POWERPACKS

**TIPO 1 - TYPE 1  
(LISCIO - PLAIN)**

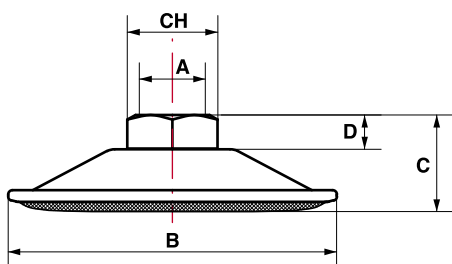


**TIPO 2 - TYPE 2  
(PLISSETTATO - PLEATED)**



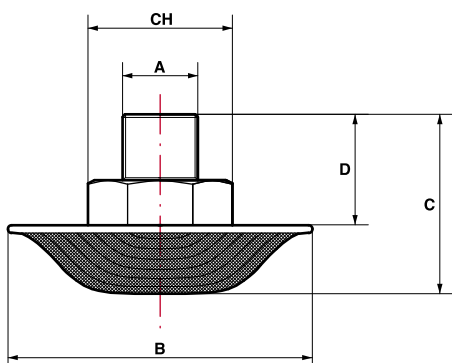
Mod.	DIMENSIONI - DIMENSIONS mm					Superficie filtrante cm <sup>2</sup> Filtering surface cm <sup>2</sup> (Tipo - Type)	Elemento filtrante Filter element	Portata l/min.** Flow l/min.**
	A	B	C	D	CH			
FR5.06694	1/4" bspp	32	13	6	22	9 (1)	90μ Repts FeZn	4
FR1.06692	3/8" bspp	32	15	8	22	9 (1)	90μ Repts FeZn	5
FR1.07537	3/8" bspp	32	15	8	55	9 (1)	250μ Repts FeZn	5
FR5.04265	1/4" bspp	63	17	7	22	45 (2)	60μ Repts FeZn	7
FR5.01752	1/4" bspp	63	15	6,5	22	30 (1)	90μ Repts FeZn	7
FR5.03503	1/4" bspp	63	17	7	22	45 (2)	90μ Repts FeZn	9
FR5.03546	1/4" bspp	63	14	5	22	30 (1)	250μ Repts FeZn	9
FR5.04465	1/4" npt	63	14	5	22	30 (1)	250μ Repts FeZn	9
FR1.02319	3/8" bspp	63	16	7	22	30 (1)	90μ Repts FeZn	10
FR1.04467	3/8" bspp	63	18	8	22	45 (2)	90μ Repts FeZn	12
FR1.02396	3/8" bspp	63	17	7	22	45 (2)	90μ Repts FeZn	12
FR1.04386	3/8" bspp	63	16	7	22	30 (1)	200μ Repts FeZn	11
FR1.03570	3/8" bspp	63	16	7	22	30 (1)	250μ Lam Inox	12
FR1.01775	3/8" bspp	63	20	8	22	120 (2)	250μ Repts FeZn	13
FR1.04462	3/8" npt	63	17	7	22	45 (2)	90μ Repts FeZn	12
FR3.04387	1/2" bspp	63	16	7	30	30 (1)	250μ Lam Inox	18
FR4.03500	M 12x1	63	16	7	22	30 (1)	90μ Repts FeZn	7
FR5.03506	1/4" bspp	80	17	5	22	53 (1)	90μ Repts FeZn	7
FR5.02395	1/4" bspp	80	23	5	22	200 (2)	90μ Repts FeZn	12
FR1.04216	3/8" bspp	80	17	7	22	200 (2)	60μ Repts Inox	6
FR1.03531	3/8" bspp	80	21	7	22	90 (2)	90μ Repts FeZn	12
FR1.04398	3/8" bspp	80	17	7	22	53 (1)	90μ Repts FeZn	12
FR1.02392	3/8" bspp	80	25	7	22	200 (2)	90μ Repts FeZn	25
FR1.03581	3/8" bspp	80	17	7	22	53 (1)	200μ Repts FeZn	15
FR1.02394	3/8" bspp	80	17	7	22	53 (1)	250μ Repts FeZn	15
FR1.03571	3/8" bspp	80	21	7	22	100 (2)	250μ Lam Inox	14
FR3.07502	1/2" bspp	80	26	8	30	90 (2)	90μ Repts FeZn	22
FR4.03502	M 12x1	80	17	7	22	53 (1)	90μ Repts FeZn	10
FR4.02393	M 12x1	80	25	7	22	200 (2)	90μ Repts FeZn	12
FR4.02386	M 12x1	80	17	7	22	53 (1)	200μ Repts FeZn	13

## FILTRI IN ASPIRAZIONE PER MINICENTRALINE FORMA A CAMPANA SUCTION FILTERS FOR MINI POWERPACKS BELL SHAPED

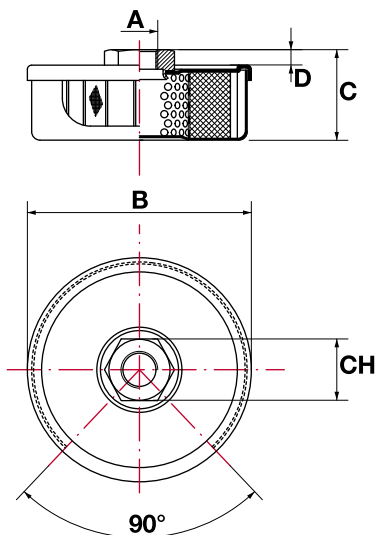


Mod.	DIMENSIONI - DIMENSIONS mm					Superficie filtrante cm <sup>2</sup> Filtering surface cm <sup>2</sup>	Elemento filtrante Filter element	Portata l/min.** Flow l/min.**
	A	B	C	D	CH			
FR1.04391	3/8" bspp	80	23,5	8	22	65	90μ Repts FeZn	12

## FILTRI IN ASPIRAZIONE PER MINICENTRALINE ATTACCO MASCHIO SUCTION FILTERS FOR MINI POWERPACKS

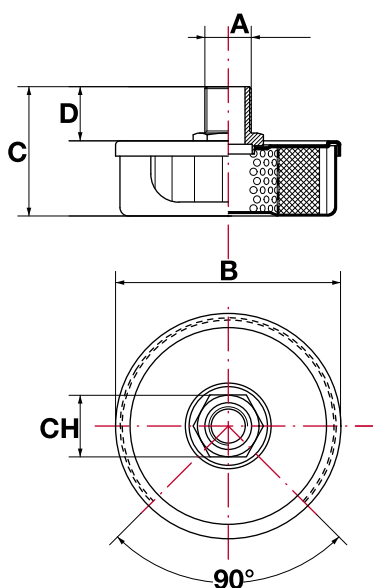


Mod.	DIMENSIONI - DIMENSIONS mm					Superficie filtrante cm <sup>2</sup> Filtering surface cm <sup>2</sup>	Elemento filtrante Filter element	Portata l/min.** Flow l/min.**
	A	B	C	D	CH			
FR5.04434	1/4" bspp	63	27,5	17,5	19	45	90μ Repts FeZn	12
FR1.02374	3/8" bspp	80	33	20,5	22	53	250μ Repts FeZn	15
FR1.03572	3/8" bspp	80	35	20,5	22	200	250μ Lam Inox	20
FR3.04355	1/2" bspp	80	43	26,5	25	200	90μ Repts FeZn	22
FR2.04356	3/4" bspp	80	43	26	36	200	90μ Repts FeZn	28
FR8.04357	1" bspp	80	52	35,5	46	200	90μ Repts FeZn	32
FR6.04332	Ø i 30	80	42	25	-	200	90μ Repts FeZn	38



### FILTRO IN ASPIRAZIONE SCHERMATO ATTACCO FEMMINA FEMALE THREADED SCREENED SUCTION FILTER

Mod.	DIMENSIONI - DIMENSIONS mm					Superficie filtrante cm <sup>2</sup> Filtering surface cm <sup>2</sup>	Elemento filtrante Filter element	Portata l/min.** Flow l/min.**
	A	B	C	D	CH			
FR5.01766	1/4" bspp	80	26	6	22	70	200μ Repts FeZn	12
FR5.02345	1/4" bspp	80	32	6	22	100	90μ Repts FeZn	13
FR1.01329	3/8" bspp	80	32	8	22	100	90μ Repts FeZn	14
FR1.01328	3/8" bspp	80	32	8	22	200	90μ Repts FeZn	16
FR1.07518	3/8" bspp	80	34,5	8	22	100	250μ Repts FeZn	16

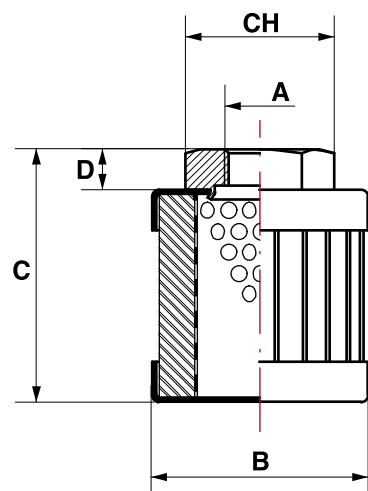


### FILTRO IN ASPIRAZIONE SCHERMATO ATTACCO MASCHIO SCREENED SUCTION FILTER MALE THREADED

Mod.	DIMENSIONI - DIMENSIONS mm					Superficie filtrante cm <sup>2</sup> Filtering surface cm <sup>2</sup>	Elemento filtrante Filter element	Portata l/min.** Flow l/min.**
	A	B	C	D	CH			
FR1.01330	3/8" bspt	80	47	21	22	100	90μ Repts FeZn	14
**FR1.03588	3/8" bspt	80	47	21	22	100	90μ Repts FeZn	14
*FR1.03522	3/8" bspt	80	47	21	22	200	90μ Repts FeZn	16
*FR5.04231	1/4" bspp	32	39	18	19	34	90μ Repts FeZn	5
FR7.02348	3/8" bspt	80	47	21	22	100	60μ Repts Inox	10
*FR7.02380	3/8" bspt	80	47	21	22	100	60μ Repts Inox	10

\* non schermato / not screened

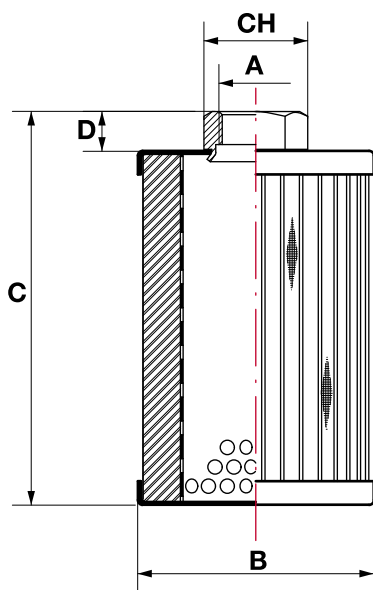
\*\* attacco eccentrico / cam connection



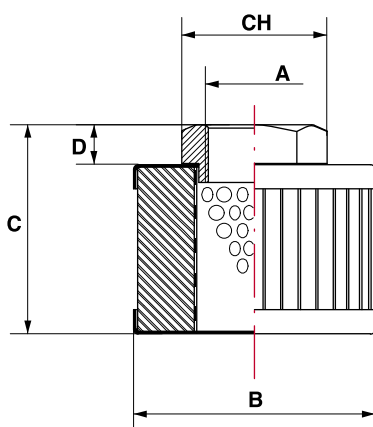
### FILTRO IN ASPIRAZIONE 1/4" BSPP SUCTION FILTER 1/4" BSPP

Mod.	DIMENSIONI - DIMENSIONS mm					Superficie filtrante cm <sup>2</sup> Filtering surface cm <sup>2</sup>	Elemento filtrante Filter element	Portata l/min.** Flow l/min.**
	A	B	C	D	CH			
FR5.01759	1/4"	32	27	6	22	34	90μ Repts FeZn	5
FR5.02361	1/4"	32	37	6	22	52	90μ Repts FeZn	6
FR5.04289	1/4"	32	50	6	22	44	90μ Repts FeZn	6
FR5.01373	1/4"	32	56	6	22	78	90μ Repts FeZn	7
FR5.04430	1/4"	45	56	6	22	127	90μ Repts FeZn	11
FR5.02334	1/4"	50	32	6	22	100	90μ Repts FeZn	10
FR5.04238	1/4"	50	87	6	22	216	90μ Repts FeZn	13
FR5.04243	1/4"	50	87	6	22	216	60μ Repts Inox	7

### FILTRO IN ASPIRAZIONE 3/8" BSPP - SUCTION FILTER 3/8" BSPP



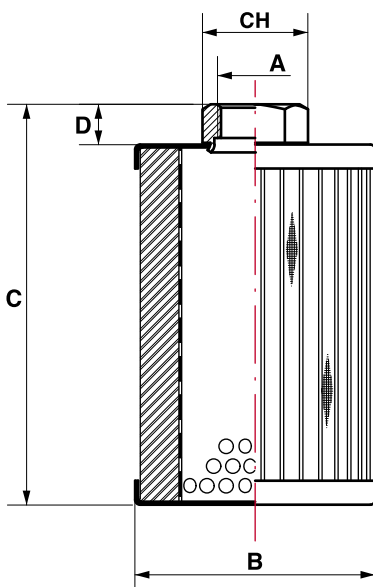
Mod.	DIMENSIONI - DIMENSIONS mm					Superficie filtrante cm <sup>2</sup> Filtering surface cm <sup>2</sup>	Elemento filtrante Filter element	Portata l/min.** Flow l/min.**
	A	B	C	D	CH			
FR1.02355	3/8"	32	29	8	22	34	90µ Repls FeZn	10
FR1.03583	3/8"	32	29	8	22	34	200µ Repls FeZn	8
FR1.02360	3/8"	32	39	8	22	50	90µ Repls FeZn	12
FR1.04283	3/8"	32	59	8	22	88	60µ Repls Inox	8
FR1.01303	3/8"	32	59	8	22	78	90µ Repls FeZn	14
FR7.04455	3/8"	32	59	8	22	78	250µ Repls Inox	15
FR1.02353	3/8"	32	75	8	22	120	90µ Repls FeZn	14
FR1.03590	3/8"	45	78	8	22	190	90µ Repls FeZn	18
FR1.03566	3/8"	45	78	8	22	190	120µ St. Steel Mesh	20
FR1.02306	3/8"	45	103	8	22	260	120µ St. Steel Mesh	22
FR1.01318	3/8"	50	35	8	22	96	90µ Repls FeZn	14
FR1.01308	3/8"	50	75	8	22	200	90µ Repls FeZn	16
FR1.04384	3/8"	50	84	8	22	200	60µ Repls Inox	13
FR1.03564	3/8"	50	105	8	22	430	60µ Repls Inox	15
FR1.01340	3/8"	80	34	8	22	100	90µ Repls FeZn	14
FR1.01343	3/8"	80	34	8	22	200	90µ Repls FeZn	16



### FILTRO IN ASPIRAZIONE 1/2" BSPP SUCTION FILTER 1/2" BSPP

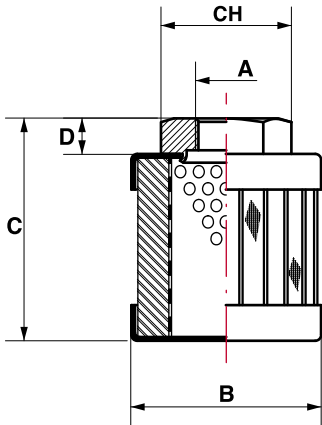
Mod.	DIMENSIONI - DIMENSIONS mm					Superficie filtrante cm <sup>2</sup> Filtering surface cm <sup>2</sup>	Elemento filtrante Filter element	Portata l/min.** Flow l/min.**
	A	B	C	D	CH			
FR3.04416	1/2"	42	105	8	30	390	90µ Repls FeZn	22
FR3.01347	1/2"	50	75	8	30	200	90µ Repls FeZn	23
FR3.04361	1/2"	50	80	8	30	237	250µ Repls FeZn	25
FR3.04307	1/2"	50	89	8	30	237	250µ Lam Inox	26
*FR3.02367	1/2"	50	130	8	30	320	90µ Repls FeZn	28
FR3.03518	1/2"	63	103	8	30	350	120µ St. Steel Mesh	26
FR3.02333	1/2"	100	58	8	30	300	250µ Repls FeZn	25

\* in scarico / drain filter



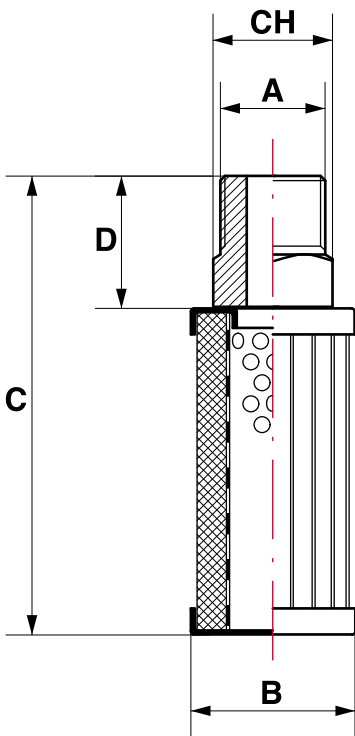
### FILTRO IN ASPIRAZIONE 3/4" BSPP SUCTION FILTER 3/4" BSPP

Mod.	DIMENSIONI - DIMENSIONS mm					Superficie filtrante cm <sup>2</sup> Filtering surface cm <sup>2</sup>	Elemento filtrante Filter element	Portata l/min.** Flow l/min.**
	A	B	C	D	CH			
FR2.02305	3/4"	63	103	8	36	350	150µ Lam Inox	35
FR2.04230	3/4"	63	103	8	36	350	500µ Lam Inox	50
FR2.02354	3/4"	63	128	8	36	410	150µ Lam Inox	40
FR2.04203	3/4"	63	160	8	36	675	60µ Repls Inox	30



### FILTRO IN ASPIRAZIONE M 12X1 SUCTION FILTER M 12X1

Mod.	DIMENSIONI - DIMENSIONS mm					Superficie filtrante cm <sup>2</sup> Filtering surface cm <sup>2</sup>	Elemento filtrante Filter element	Portata l/min.** Flow l/min.**
	A	B	C	D	CH			
FR4.01342	12x1	32	29	8	22	34	90μ Repts FeZn	5
FR4.01336	12x1	32	58	8	22	78	90μ Repts FeZn	7
FR4.01335	12x1	80	34	8	22	100	90μ Repts FeZn	10
FR4.01333	12x1	80	34	8	22	200	90μ Repts FeZn	12



### FILTRO OLIO IDRAULICO IN ASPIRAZIONE ATTACCO MASCHIO 3/8" BSPT HYDRAULIC OIL SUCTION FILTER MALE CONN. 3/8" BSPT

Mod.	DIMENSIONI - DIMENSIONS mm					Superficie filtrante cm <sup>2</sup> Filtering surface cm <sup>2</sup>	Elemento filtrante Filter element	Portata l/min.** Flow l/min.**
	A	B	C	D	CH			
*FR1.01779	3/8"	26	64	20	17	56	90μ Repts FeZn	20
FR1.02352	3/8"	26	70	20	17	65	90μ Repts FeZn	21
FR1.01304	3/8"	32	142,5	20	22	200	90μ Repts FeZn	30

\* schermato 180° / screened 180°

\*\* Portate rilevate con olio avente viscosità cinematica 30 cst, densità 0,86 kg/dm<sup>3</sup> e  $\Delta p=0,03$  bar.

\*\* Flow rates measured with oil of 30 cst kinematic viscosity, 0,86 kg/dm<sup>3</sup> density and  $\Delta p=0,03$  bar.

- Compatibilità con fluidi: oli minerali (HH-HL-HM-HR-HV-HG) e fluidi sintetici (HS-

HFDR-HFDU-HFDS).

- Fluid compatibility: mineral oil (HH-HL-HM-HR-HV-HG) and synthetic fluids (HS-HFDR-HFDU-HFDS).

- Grafici curve  $\Delta p$  VS portata disponibili su richiesta
- Graphic curves  $\Delta p$  VS flow rate available upon request