

63mm Diameter Glycerine Filled Pressure Gauge

Application

For the measurement of fluid liquids that are not: highly viscous, high temperature (over 60°C), likely to solidify/crystallize or corrosive to copper or tin alloys.

Also suitable for gases (except oxidising gases such as oxygen or acetylene) up to 25 bar maximum.

Glycerine filled gauges are particularly suited to applications where oscillating/surging pressures or vibration are present. The damping effect of the glycerine will steady the pointer making it easier to take a reading against the scale.



Description

Nominal Size
63mm

Accuracy
+/- 1.6% FSD

Scales
PSI Outer (Black) & BAR Inner (Red) - Pressure
"HG Outer (Black) & BAR Inner (Red) - Vacuum
"HG+PSI Outer (Black) & BAR Inner (Red) - Compound

Ranges
-30/0"HG Vacuum to 0/10000 PSI Pressure
-30"HG/+15 PSI to -30"HG/+160 PSI Compound

Mounting Options
Bottom - Direct Mounting (standard)
Bottom - Surface Mounting Rear 3 Hole Flange

Centre Back - Direct Mounting (standard)
Centre Back - Panel Mounting Rear Bracket
Centre Back - Panel Mounting Front 3 Hole Flange

Operating Temperature
Ambient: -20/+60°C
Medium: +60°C maximum

Temperature Effect
Variation in indication caused by temperature
 $\pm 0.04 \times (t_2 - t_1)\%$ of the span
t1 is the reference ambient temperature in °C
t2 is the ambient temperature in °C

Ingress Protection
IP 65 as per EN 60529

Case & Crimped Bezel
304 Stainless Steel

Window
Polycarbonate - Crystal clear

Pressure Element
CU Alloy - Sealed Bourdon tube
C-Type <100 BAR
Coiled Type >100 BAR

Joints
Soldered with tin/silver alloy

Movement
High Precision Brass

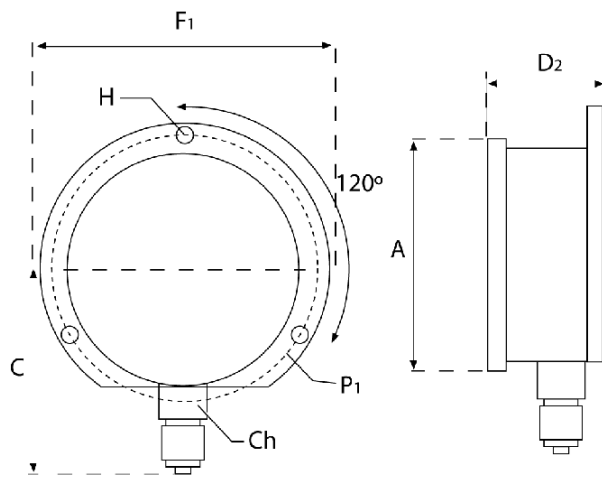
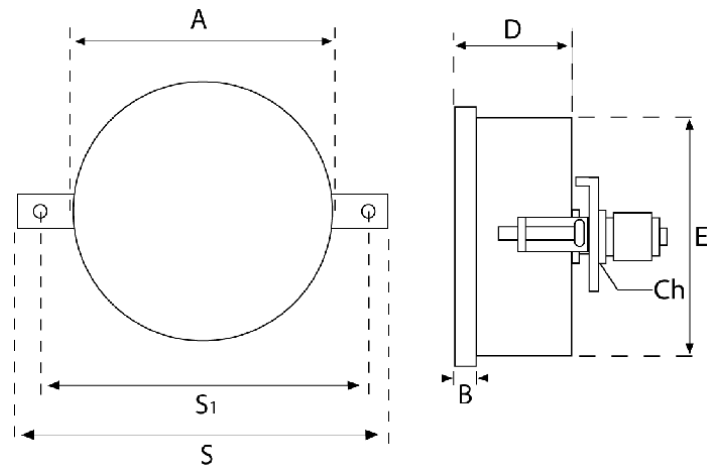
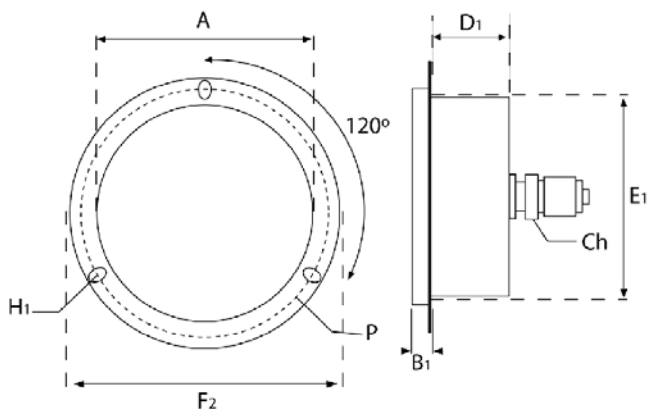
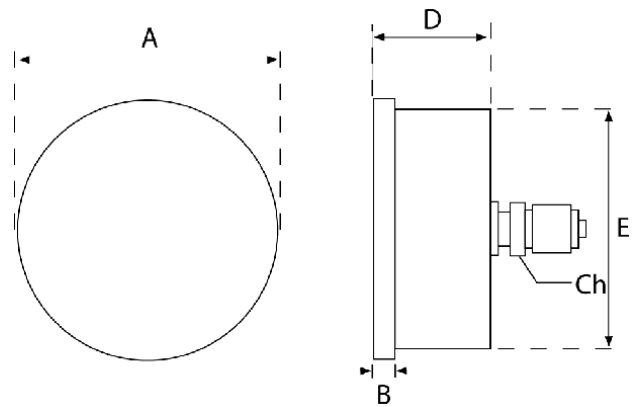
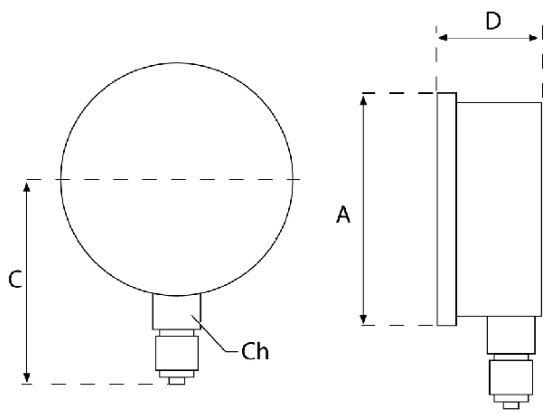
Process Connection & Block
Brass - 1/4" BSP (parallel) male (standard)
Brass - 1/4" NPT (tapered) male (standard)
Brass - 14mm Hexagon block

Pointer
Aluminium - Black

Dial
Aluminium - White

Filling
High Purity grade glycerine 99.5%

Special Options
Other scales/ranges
Customer logo on dial
Other process connections
Rubber gauge cover



A	B	B ₁	C	Ch	D	D ₁	D ₂	E	E ₁	F ₁	F ₂	P	P ₁	H	H ₁	S	S ₁
67.5	6	7	56	14	31.5	24.5	33	62.5	64	85	85	75	75	4	4x5	99	87.5

(Dimensions in mm)