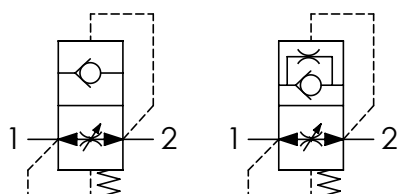




### SCHEMA IDRAULICO / HYDRAULIC CIRCUIT



CON FORO  
(WITH ORIFICE)

### CODICE ORDINAZIONE ORDERING CODE

01	02	03	04
<b>VUBA</b>			

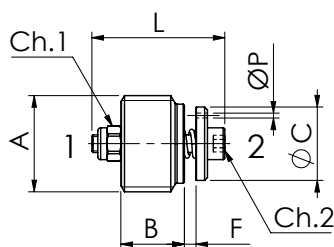
<b>01</b>	VALVOLE DI SICUREZZA PER TUBAZIONI (HOSE BURST VALVES)	<b>VUBA</b>
<b>02</b>	DIMENSIONE (SIZE)	BSPP 1/4 <b>140</b>
		BSPP 3/8 <b>380</b>
		BSPP 1/2 <b>120</b>
		BSPP 3/4 <b>340</b>
		BSPP 1 <b>100</b>
<b>03</b>	REGOLAZIONE (SETTING)	Esempio: regolazione 0,7 mm (Example: setting 0.7 mm) <b>F 0,7</b>
		Omettere se non richiesto (Omit if not required)
<b>04</b>	FORO SUL PIATTELLO (ORIFICE ON FLAT POPPET)	Esempio: foro 1,5 mm (Example: hole 1,5 mm) <b>P 1,5</b>
		*Omettere se non richiesto (Omit if not required)

\*Se ommesso questo valore, le valvole vengono fornite senza alcuna taratura di fabbrica e i dadi non sono serrati. Per garantire il loro corretto funzionamento è necessario che venga eseguito il settaggio da parte dell'installatore finale.

If omitted this value, the valves are supplied without factory setting and nuts are not tightened. For the correct operating it is needed a calibration of the valve made by final installer.

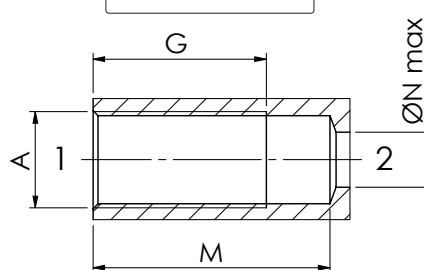
Regolazione F a richiesta  
F setting on request

Foro su piattello a richiesta  
Orifice on flat poppet  
on request



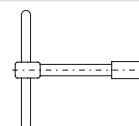
[mm]  
[Inches]

CAVITÀ (CAVITY)



### DATI TECNICI / TECHNICAL DATA

<b>Olio idraulico</b> - Mineral oil	<b>ISO 6743/4</b> (DIN 51524)
<b>Viscosità olio</b> - Oil viscosity	<b>15-250 mm<sup>2</sup>/s</b> (15 to 250 cSt)
<b>Classe di contaminazione max</b> Max contamination index	<b>ISO 4406:1999 Classe 19/17/14</b>
<b>Temperatura dell'olio</b> - Oil temperature	<b>-20°C +80°C</b> -4°F + 176°F
<b>Temperatura ambiente</b> - Ambient temperature	<b>-20°C +50°C</b> -4°F + 122°F
È indispensabile l'utilizzo di un filtro per proteggere la valvola (filtrazione consigliata 15 µm) It is necessary a filter use to protect the valve (advised filtration 15 µm)	
<b>Trafilamento massimo</b> Max leakage	<b>0,25 cm<sup>3</sup>/min - 5 gocce/min</b> 0,015 in <sup>3</sup> /min - 5 drops/min



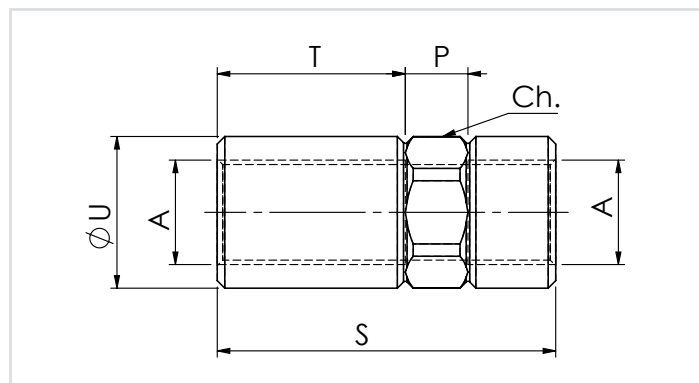
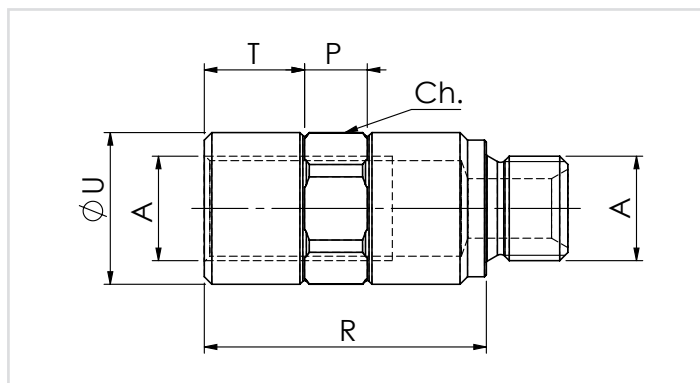
**CHIAVE  
TOOL**

### Dimensione/Dimensions

Tipo chiave Tool's Type	Tipo Type	Peso/Weight kg-lbt
<b>61700001</b>	<b>VUBA140</b>	<b>0,12</b> (0.27)
<b>61700002</b>	<b>VUBA380</b>	<b>0,13</b> (0.29)
<b>61700003</b>	<b>VUBA120</b>	<b>0,15</b> (0.33)
<b>61700004</b>	<b>VUBA340</b>	<b>0,18</b> (0.40)

### CARATTERISTICHE TECNICHE / TECHNICAL CHARACTERISTICS

TIPO TYPE	A	PORTATA MAX MAX FLOW l/min-USgpm	PRESSIONE MAX MAX PRESSURE bar-PSI	mm - inch								Ch. 1	Ch. 2	COPPIA DI SERRAGGIO TIGHTENING TORQUE Nm-lbt ft	PESO APPROX APPROX WEIGHT kg-lbt
				B	C	D	G	H	L	M	N				
VUBA140	BSPP 1/4	25 (6.6)	350 (5075)	8,2 (0.32)	10,4 (0.41)	8 (0.31)	25 (0.98)	2,5 (0.10)	19 (0.75)	35 (1.38)	7 (0.28)	5,5	2,5	2 (1.5)	0,008 (0.017)
VUBA380	BSPP 3/8	50 (13.2)		11 (0.43)	12,7 (0.50)	10 (0.39)	30 (1.18)	3,25 (0.13)	23 (0.90)	41 (1.61)	9,5 (0.37)			3 (2.5)	0,014 (0.030)
VUBA120	BSPP 1/2	80 (21.1)		13 (0.51)	15 (0.59)	11,5 (0.45)	33 (1.30)	4 (0.16)	29 (1.14)	46 (1.81)	12 (0.47)	7	3	4 (3)	0,025 (0.055)
VUBA340	BSPP 3/4	150 (39.6)		18 (0.71)	18 (0.71)	14,5 (0.57)	42 (1.65)	5,2 (0.20)	34 (1.34)	55 (2.17)	16 (0.63)			10 (7.5)	0,054 (0.12)
VUBA100	BSPP 1	180 (47.5)		20 (0.79)	26 (1.02)	19 (0.75)	48 (1.89)	7 (0.28)	40 (1.57)	63 (2.48)	22 (0.87)	8	4	12 (9)	0,1 (0.22)



### COLONNETTE - HOUSINGS M/F

TIPO TYPE	A	R	P	T	U	Ch.	PESO APPROX APPROX WEIGHT kg-lbt
61100087	BSPP 1/4	39 (1.53)	10 (0.39)	13 (0.51)	20.5 (0.80)	19	0.07 (0.16)
61100088	BSPP 3/8	45 (1.77)	10 (0.39)	16 (0.63)	24.5 (0.96)	22	0.10 (0.22)
61100089	BSPP 1/2	52 (2.05)	10 (0.39)	19 (0.75)	29.5 (1.16)	27	0.17 (0.37)
61100090	BSPP 3/4	61 (2.40)	12 (0.47)	23 (0.90)	35.5 (1.32)	32	0.26 (0.57)
61100091	BSPP 1	67 (2.63)	15 (0.59)	25.5 (1)	44.5 (1.75)	41	0.4 (0.88)

### COLONNETTE - HOUSINGS F/F

TIPO TYPE	A	S	P	T	U	Ch.	PESO APPROX APPROX WEIGHT kg-lbt
61100092	BSPP 1/4	48 (1.89)	10 (0.39)	13 (0.51)	20.5 (0.80)	19	0.09 (0.20)
61100093	BSPP 3/8	54 (2.13)	10 (0.39)	30 (1.18)	24.2 (0.95)	22	0.11 (0.24)
61100094	BSPP 1/2	73 (2.87)	10 (0.39)	46.5 (1.83)	29.2 (1.14)	27	0.20 (0.44)
61100095	BSPP 3/4	74 (2.91)	12 (0.47)	44 (1.73)	35.5 (1.32)	32	0.27 (0.59)

TARATURA SETTING mm	Portata (l/min) - Flow rate (Usgpm) Tolleranza ± 10% - Tolerance ± 10%				
	VUBA140	VUBA380	VUBA120	VUBA340	VUBA100
0	0	0	0	0	0
0,1	3,0 (0,8)	3,0 (0,8)	4,0 (1,1)	9,0 (2,4)	3,5 (0,9)
0,2	6,0 (1,6)	6,0 (1,6)	8,0 (2,1)	18,0 (4,8)	7,0 (1,8)
0,3	9,3 (2,5)	10,0 (2,6)	12,7 (3,3)	25,3 (6,7)	12,0 (3,2)
0,4	12,7 (3,3)	14,0 (3,7)	17,3 (4,6)	32,7 (8,6)	17,0 (4,5)
0,5	16,0 (4,2)	18,0 (4,8)	22,0 (5,8)	40,0 (10,6)	22,0 (5,8)
0,6	17,0 (4,5)	20,5 (5,4)	26,5 (7,0)	48,5 (12,8)	27,5 (7,3)
0,7	18,0 (4,8)	23,0 (6,1)	31,0 (8,2)	57,0 (15,0)	33,0 (8,7)
0,8	19,2 (5,1)	25,0 (6,6)	34,0 (9,0)	61,7 (16,3)	39,0 (10,3)
0,9	20,3 (5,4)	27,0 (7,1)	37,0 (9,8)	66,3 (17,5)	45,0 (11,9)
1	21,5 (5,7)	29,0 (7,7)	40,0 (10,6)	71,0 (18,7)	51,0 (13,5)
1,1	22,3 (5,9)	30,0 (7,9)	42,5 (11,2)	77,0 (20,3)	53,5 (14,1)
1,2	23,0 (6,1)	31,0 (8,2)	45,0 (11,9)	83,0 (21,9)	56,0 (14,8)
1,3	23,7 (6,2)	32,3 (8,5)	47,7 (12,6)	88,7 (23,4)	60,7 (16,0)
1,4	24,3 (6,4)	33,7 (8,9)	50,3 (13,3)	94,3 (24,9)	65,3 (17,2)
1,5	25,0 (6,6)	35,0 (9,2)	53,0 (14,0)	100,0 (26,4)	70,0 (18,5)
1,6	25,4 (6,7)	36,4 (9,6)	55,8 (14,7)	106,0 (28,0)	72,4 (19,1)
1,7	26,0 (6,9)	37,0 (9,8)	58,6 (15,5)	111,0 (29,3)	74,8 (19,7)
1,8	26,3 (7,0)	38,7 (10,2)	61,4 (16,2)	116,0 (30,6)	77,2 (20,4)
1,9	26,7 (7,0)	40,3 (10,6)	64,2 (16,9)	120,0 (31,7)	79,6 (21,0)
2	27,0 (7,1)	42,0 (11,1)	67,0 (17,7)	124,0 (32,7)	82,0 (21,6)