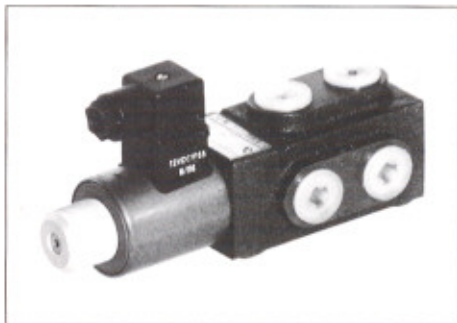


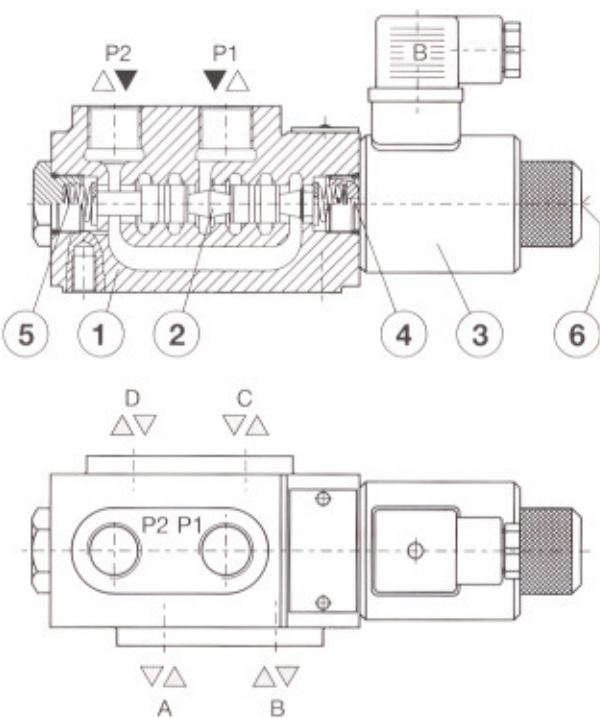
6/2-WAY DIRECTIONAL VALVES type KV

- NS 6
- to 210 bar
- to 50 l/min
- Direct operation by solenoid
- Plug-in connector for solenoids to ISO 4400
- Threaded connection to ISO 9974, ISO 1179



KV-6/2-6

Description of operation



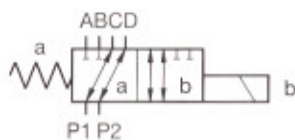
Directional valves type KV-6/2-6 with direct solenoid operation control the direction of the hydraulic medium flow. They are mostly used as link between two consumers and the basic directional valve, when we want to control both consumers alternately by means of one basic directional valve.

The KV type directional valves consist of a housing (1), a control spool (2), and a solenoid (3) with return spring (5). Change-over to the operating position is done by energising the solenoid (3), whereby the solenoid plunger acts on the control spool (2) via the operating pin (4), thus clearing the corresponding flow ways and establishing respective links between the ports P1, A, B and P2.

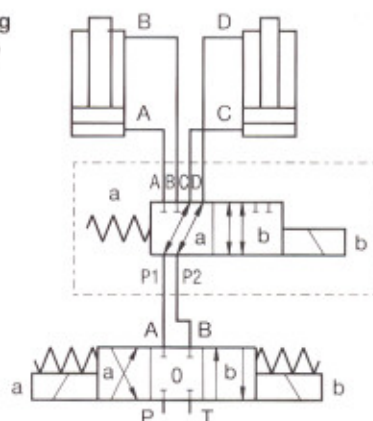
When the solenoid (3) is de-energised, the control spool (2) is returned to its neutral position by the return spring (5), thus establishing again the links between ports P1, C, D and P2.

The change-over can also be done manually by pressing the emergency hand operator (6).

Symbol



Mounting example



Technical data

Hydraulic

Size		6
Flow rate	l/min	50
Operating pressure	bar	210
Oil temperature range	°C	-20 to +70
Viscosity range	mm ² /s	15 to 380
Mounting position	optional	
Mass	kg	2,65
Filtration	NAS 1638	9

Electrical

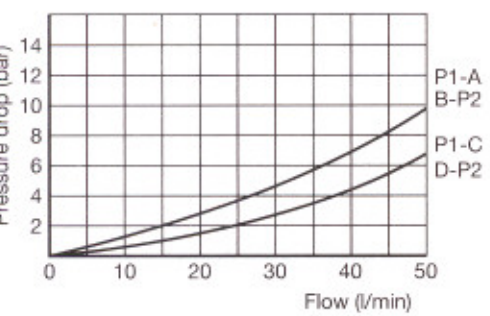
Supply voltage	V	12, 24 DC
Power	W	29
Switching frequency	1/h	15000
Ambient temperature	°C	to +50
Coil temperature	°C	to +180
Duty cycle	continuous	

KV-6/2-6 - - - - - *

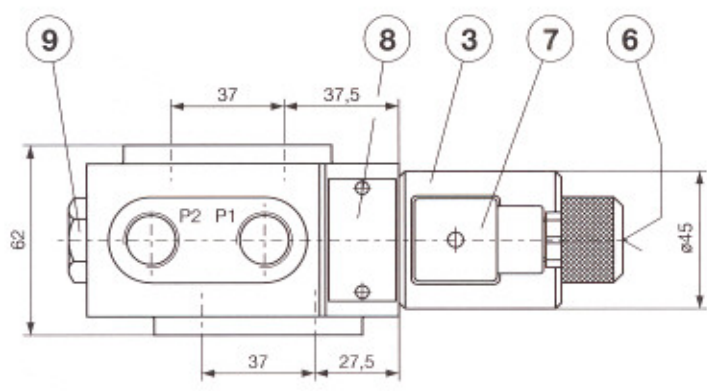
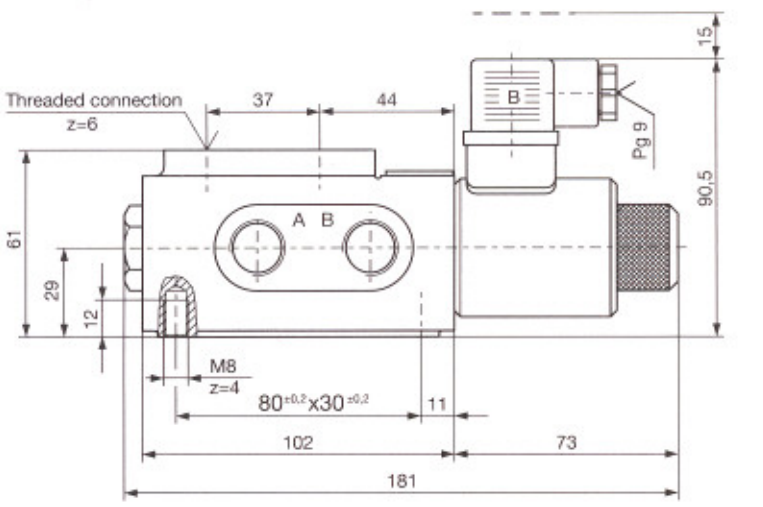
Supply voltage	
Protection of solenoid	
Threaded connections	
Plug-in connector	
Seal type	
Special requirements to be briefly specified	

Supply voltage	direct voltage 24 V direct voltage 12 V	= no desig. = 12 DC
Protection of solenoid	protection IP 65 to DIN 40050 adverse climatic conditions Climatic conditions (Z) to be briefly specified in box*.	= no desig. = Z
Threaded connections	M18x1,5 M22x1,5 G3/8 G1/2	= no desig. = M22 = G3/8 = G1/2
Plug-in connector	without signal lamp K1 with signal lamp K1L	= no desig. = L
Seal type	NBR seals for mineral oil HL, HLP to DIN 51524 FPM seals for HETG, HEES, HEPG to VDMA 24568	= no desig. = E

$\Delta p - Q$ Performance curves
(measured at $t = 50\text{ }^\circ\text{C}$ and $v_0 = 32\text{ mm}^2/\text{s}$)



Dimensions (mm)



- 3. Solenoid "b" - MR-045
- 6. Emergency hand operator
- 7. Plug-in connector "b" - black
- 8. Nameplate
- 9. Valve cap