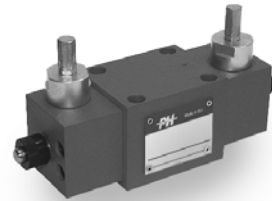




## 4/2 WAY AUTOMATIC DIRECTIONAL VALVES PKV

- NG 10
- Up to 210 bar [3 045 PSI]
- Up to 60 L /min [15.8 GPM]
- Indirect hydraulic operation.
- Connecting dimensions to ISO 4401.
- Provision of pressure setting for change - over.
- Automatic change - over from the other operating position.

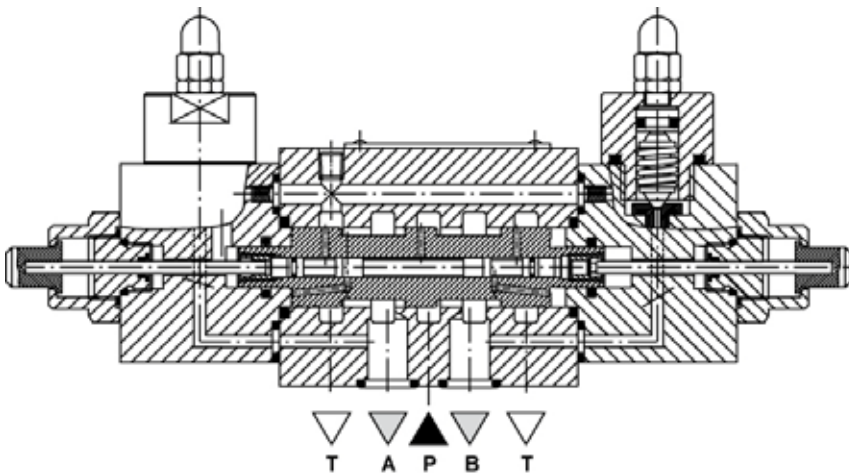
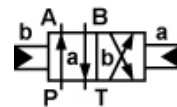


**PKV-10**

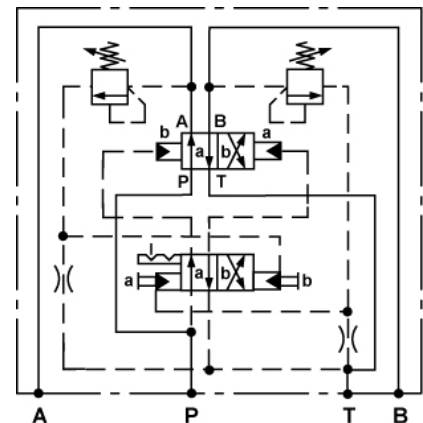
### Operation

Indirectly, hydraulic - operated directional valves type PKV are used to control the hydraulic fluid flow direction by an automatic change - over.

### Hydraulic symbol



### Detailed schematics of the valve



### Features

<b>Size</b>			<b>10</b>
<b>Flow rate min/max</b>		L/min [GPM]	1/60 [0.3/15.8]
<b>Operating pressure</b>	P, A, B	bar [PSI]	To 210 [3 045]
	T	bar [PSI]	To 40 [580]
<b>Min. press. req. for autom. change over</b>		bar [PSI]	50 [725]
<b>Change over pressure</b>		bar [PSI]	50 to 210 [725 to 3 045]
<b>Viscosity range</b>		mm <sup>2</sup> /s [SUS]	15 to 380 [69.5 to 1 760]
<b>Oil temperature range</b>		°C [°F]	-20 to +70 [-4 to 158]
<b>Filtration</b>		NAS 1638	8
<b>Mass</b>		kg [lb]	2,6 [5.7]
			3,2 [7.0]

Mechanically operated

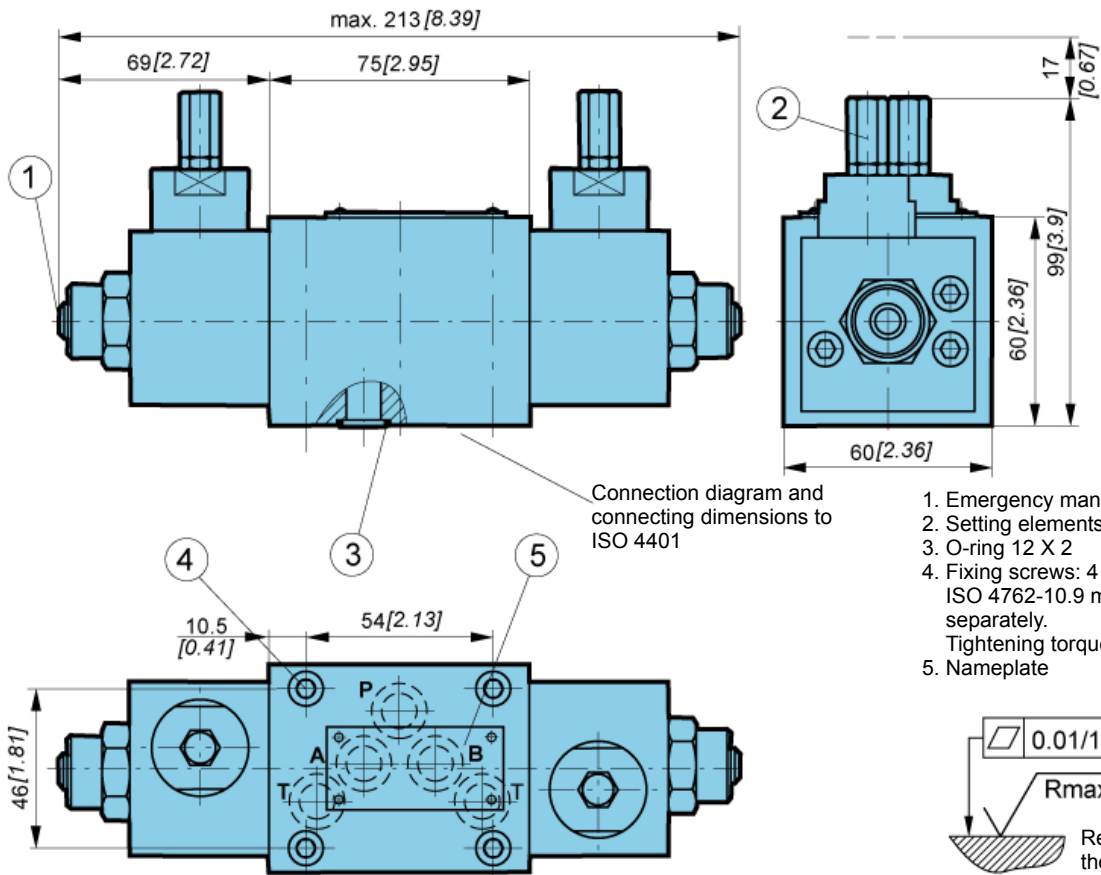
Hydraulically operated

Electrically operated

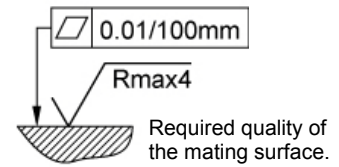


Dimensions

Size 10



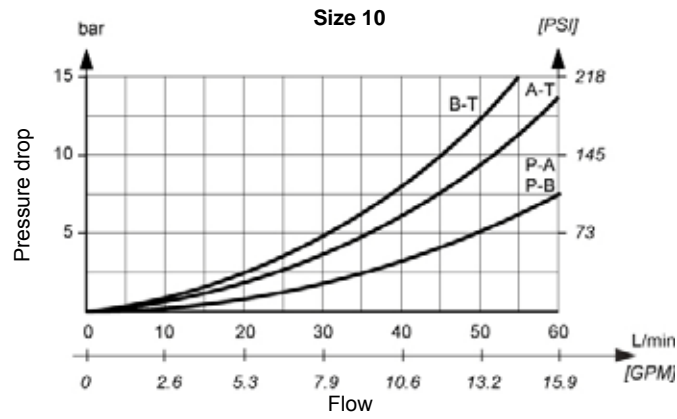
1. Emergency manual override
2. Setting elements with protective cap
3. O-ring 12 X 2
4. Fixing screws: 4 pcs M6 x 55 to EN ISO 4762-10.9 must be ordered separately.  
Tightening torque  $M_d = 14\text{Nm}$
5. Nameplate



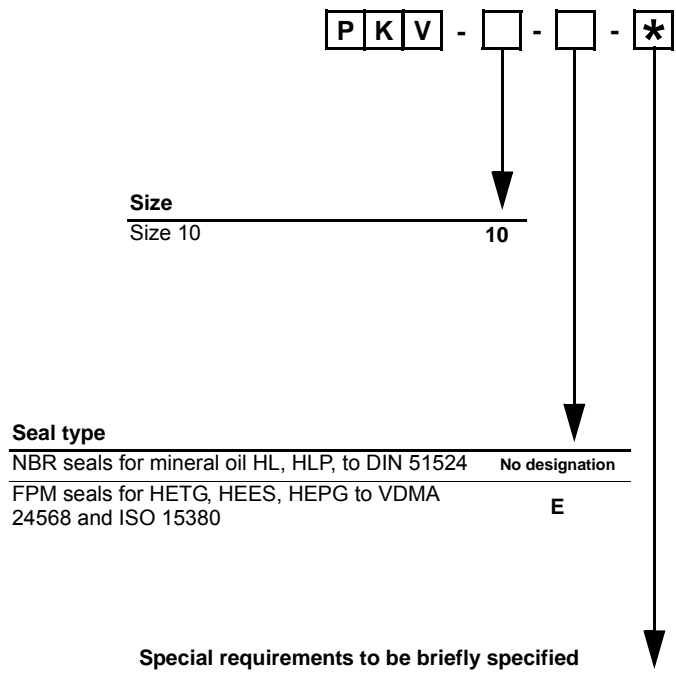


**ΔP-Q Performance curves**

Measured at 50°C [122°F] and viscosity of 32 mm<sup>2</sup>/s [148 SUS].



**Model code**



Mechanically operated

Hydraulically operated

Electrically operated