



POMELLO IN ALLUMINIO PRESSOFUSO  
DIE CAST ALUMINIUM HANDKNOB

POMELLO IN ALLUMINIO TORNITO  
TURNED ALUMINIUM HANDKNOB



BSPP STUF140 - STUF380 - STUF120

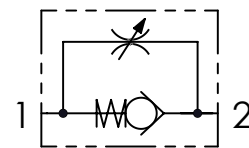
BSPP STUF180 - STUF340 - STUF100 - STUF114 - STUF112

**CODICE ORDINAZIONE**  
ORDERING CODE

01	<b>STUF</b>	02
----	-------------	----

<b>01</b>	VALVOLE DI CONTROLLO FLUSSO UNIDIREZIONALI (UNIDIRECTIONAL FLOW CONTROL VALVES)	<b>STUF</b>	
<b>02</b>	Tenuta a sfera solo per STU180/140/380/120  Ball sealing only for STU180/140/380/120	BSPP 1/8	<b>180</b>
		BSPP 1/4	<b>140</b>
		BSPP 3/8	<b>380</b>
		BSPP 1/2	<b>120</b>
		BSPP 3/4	<b>340</b>
		BSPP 1	<b>100</b>
		BSPP 1-1/4	<b>114</b>
BSPP 1-1/2	<b>112</b>		

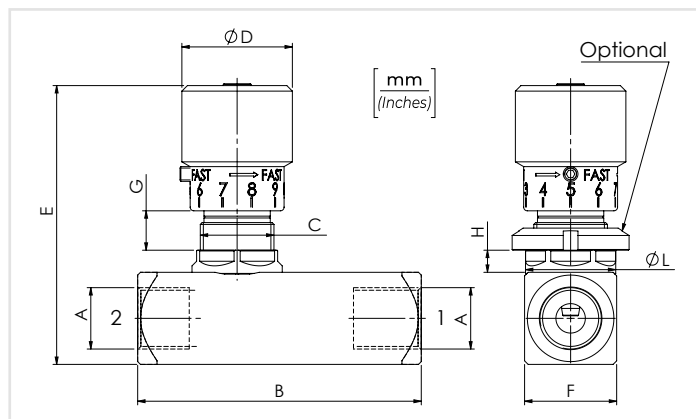
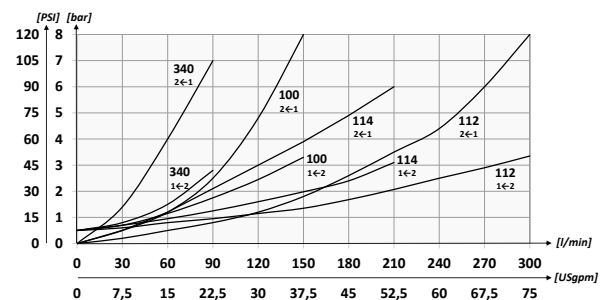
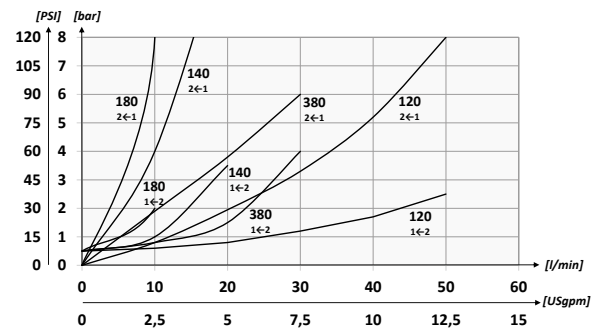
**SCHEMA IDRAULICO / HYDRAULIC CIRCUIT**



**DATI TECNICI / TECHNICAL DATA**

**Olio idraulico** - Mineral oil **ISO 6743/4** (DIN 51524)  
**Viscosità olio** - Oil viscosity **15-250 mm<sup>2</sup>/s** (15 to 250 cSt)  
**Classe di contaminazione max con filtro** **ISO 4406:1999 Classe 19/17/14**  
 Max contamination index with filter  
**Temperatura dell'olio** - Oil temperature **-20°C +80°C** -4°F +176°F  
**Temperatura ambiente** - Environment temperature **-20°C +50°C** -4°F +122°F  
 È indispensabile l'utilizzo di un filtro per proteggere la valvola (filtrazione consigliata 15 µm)  
 It is necessary a filter use to protect the valve (advised filtration 15 µm)

**PERFORMANCES**



**CARATTERISTICHE TECNICHE / TECHNICAL CHARACTERISTICS**

TIPO TYPE	A	PORTATA MAX MAX FLOW l/min-USgpm	PRESSIONE MAX MAX PRESSURE bar-PSI	B	C	D	E	F	G	H	L	OPTIONAL TYPE	PESO APPROX APPROX WEIGHT kg-lbt
STUF180	BSPP 1/8	10 (2.6)	400 (5800)	58 (2.28)	M15x1	20 (0.79)	60,5 (2.38)	20 (0.79)	8 (0.31)	5,5 (0.21)	19,5 (0.76)	84100031	0,20 (0.44)
STUF140	BSPP 1/4	15 (4)		66 (2.60)	M20x1	33 (1.30)	75 (2.95)	25 (0.98)	7,5 (0.29)	6 (0.23)	24,5 (0.96)	84100022	0,38 (0.84)
STUF380	BSPP 3/8	30 (7.9)		77 (3.03)									0,40 (0.88)
STUF120	BSPP 1/2	50 (13.2)		91 (3.58)	M25x1,5	42 (1.65)	81 (3.19)	30 (1.18)	9 (0.35)	7 (0.27)	29,5 (1.16)	84100023	0,63 (1.40)
STUF340	BSPP 3/4	80 (21.1)	112,5 (4.43)	M35x1,5	110 (4.33)								40 (1.57)
STUF100	BSPP 1	150 (39.6)	350 (5075)	141 (5.55)	M45x1,5	53 (2.09)	137 (5.39)	55 (2.17)	13,5 (0.53)	10 (0.39)	50 (1.96)	84100030	2 (4.4)
STUF114	BSPP 1-1/4	200 (52.8)		155 (6.10)									115 (4.53)
STUF112	BSPP 1-1/2	300 (79.2)		168 (6.61)	177 (5.79)	65 (2.56)	4,7 (10.3)						