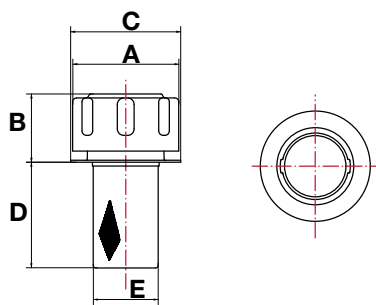


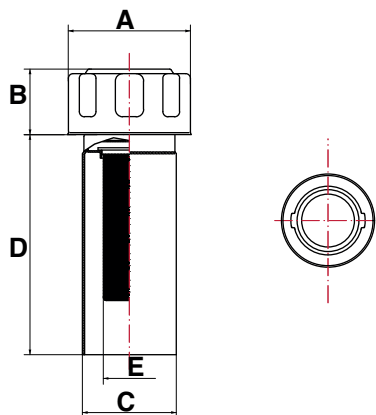
FISSAGGIO A SALDARE - WELDING FIXING



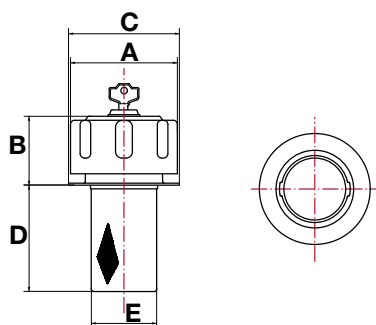
| FISSAGGIO FLANGIA A SALDARE - WELDING FIXING FLANGE | | | | | | | |
|---|--------------------------|--|-------------------------------|----|----|-----|----|
| Mod. | FILTRO ARIA - AIR FILTER | | DIMENSIONI mm - DIMENSIONS mm | | | | |
| | Micron nom. | Portata aria m ³ /h Air Flow m ³ /h | A | B | C | D | E |
| TP5.02610 | 40 (foam) | 42 | 75 | 48 | 84 | 105 | 38 |
| TP7.02612* | 40 (foam) | 42 | 70 | 50 | 84 | 100 | 36 |

* Versione TP7 con valvola di pressurizzazione apertura 0,35 bar.

* TP7 version with pressurized valve opening 0,35 bar.

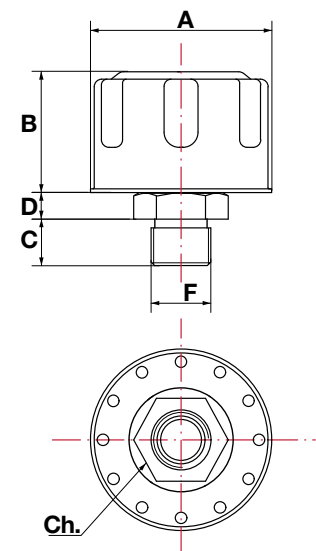


| FISSAGGIO FLANGIA A SALDARE CON TUBO - WELDING FIXING FLANGE WITH PIPE | | | | | | | |
|--|--------------------------|--|-------------------------------|----|----|-----|----|
| Mod. | FILTRO ARIA - AIR FILTER | | DIMENSIONI mm - DIMENSIONS mm | | | | |
| | Micron nom. | Portata aria m ³ /h Air Flow m ³ /h | A | B | C | D | E |
| TP5.05502 | 40 (foam) | 42 | 70 | 35 | 64 | 149 | 36 |



| CHIUSURA CON CHIAVE E FISSAGGIO FLANGIA A SALDARE - KEY LOCKING AND WELDING FIXING FLANGE | | | | | | | |
|---|--------------------------|--|-------------------------------|----|----|-----|----|
| Mod. | FILTRO ARIA - AIR FILTER | | DIMENSIONI mm - DIMENSIONS mm | | | | |
| | Micron nom. | Portata aria m ³ /h Air Flow m ³ /h | A | B | C | D | E |
| TP6.02611 | 40 (foam) | 42 | 75 | 48 | 84 | 105 | 38 |

ATTACCO FILETTATO - THREAD CONNECTION



| TAPPO AVVITABILE - SCREWING CAP | | | | | | | | |
|---------------------------------|--------------------------|--|-------------------------------|----|----|----|----|----|
| Mod. | FILTRO ARIA - AIR FILTER | | DIMENSIONI mm - DIMENSIONS mm | | | | | |
| | Micron nom. | Portata aria m ³ /h Air Flow m ³ /h | BSPP | A | B | C | D | CH |
| TP8.02613 | 40 (foam) | 15 | 1/4" | 48 | 30 | 13 | 9 | 22 |
| TP8.05506 | 40 (foam) | 15 | 1/2" | 48 | 30 | 13 | 9 | 22 |
| TP8.02614 | 40 (foam) | 42 | 3/4" | 76 | 40 | 20 | 8 | 32 |
| TP8.03842 | 10 (paper) | 42 | 3/4" | 76 | 40 | 20 | 8 | 32 |
| TP9.02615* | 40 (foam) | 42 | 3/4" | 70 | 35 | 18 | 15 | 30 |
| TP9.06736* | 10 (paper) | 42 | 3/4" | 76 | 40 | 20 | 8 | 32 |

* Versione TP9 con valvola di pressurizzazione apertura 0,35 bar.

* TP9 version with pressurized valve opening 0,35 bar.