



FLOW CONTROL VALVE TVTC

- NG 6
- Up to 350 bar [5076 PSI]
- Up to 50 L/min [13.21 GPM]
- Three-way pressure compensator.
- Operating element: rotary knob.
- Without built - in relief valve and non return valve.
- With built - in relief valve.
- With built-in non return valve.
- Threaded connections to ISO 1179 (BSPP/Gas), ISO 11926 (UNF).



TVTC-..

Operation

3-way compensated flow control valve enables setting of constant fluid flow on port A irrespective of the pressure variations. The excessive flow rate is discharged to port B and can be used as a secondary working port or return port to a tank.

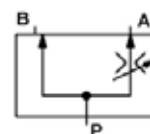
Whether the pressure in secondary circuit is higher than the regulated pressure the valve works as two-way regulator.

A pressure relief valve in valve type TVTC-..-VV limits the pressure in port A on the set valve. The excessive flow rate is discharged over port R to a tank.

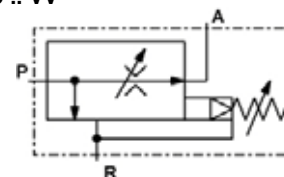
The non return valve in valve type TVTC -..-NV provides a free flow of the hydraulic fluid in the direction from A to P.

Hydraulic symbol

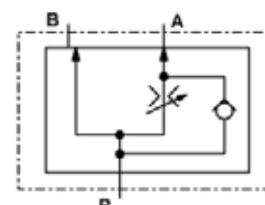
TVTC-..



TVTC-..-VV



TVTC-..-NV



Features

Type		TVTC-12-...	TVTC-25-...	TVTC-50-...
Flow rate A	L/min [GPM]	1 to 12 [0.26 to 13.17]	1 to 25 [0.26 to 6.60]	1 to 50 [0.26 to 13.21]
Max. flow rate A	L/min [GPM]	32 [8.45]	65 [17.17]	
Operating pressure	bar [PSI]	5 to 350 [72.52 to 5076.32]		
Differential pressure	bar [PSI]	5,5 [79.77]		
Cracking pressure for non return valve	bar [PSI]	0,5 [7.25]		
Flow stability (5 to 350 Bar)	%	±5 (Q)		
Oil temperature range	°C [°F]	-20 to +70 [-4 to +158]		
Viscosity range	mm ² /s [SUS]	15 to 380 [69.5 to 1760]		
Filtration	NAS 1638	8		
Mass	kg [lb]	TVTC	2 [4.41]	
		TVTC-..-NV	2 [4.41]	
		TVTC-..-VV	3 [6.61]	

Throttle with Check valves

Flow control valves pressure compensated

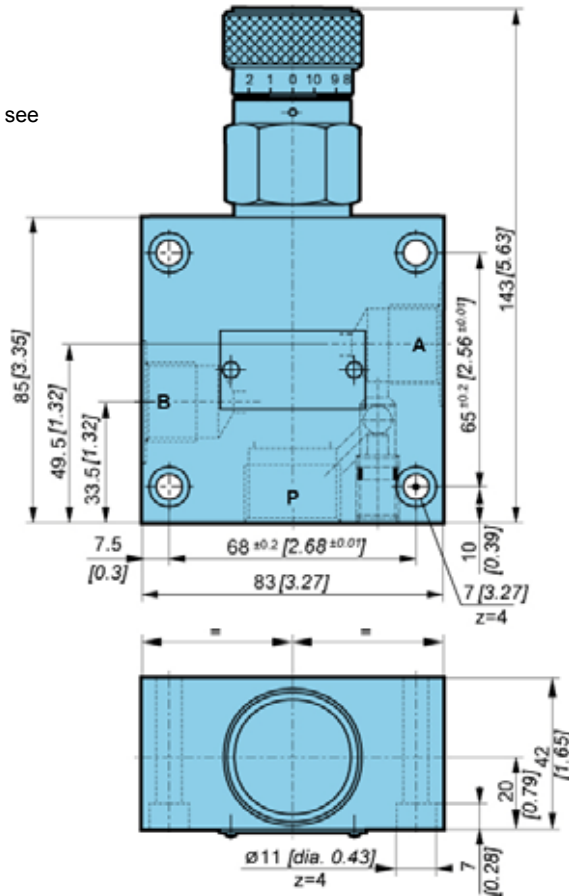
Flow dividers



Dimensions

TVTC...; TVTC...-NV

Threaded connections see Model code



TVTC...-VV

Threaded connections see Model code

