

TWO-WAY, SOLENOID OPERATED, PILOTED POPPET, CARTRIDGE VALVE



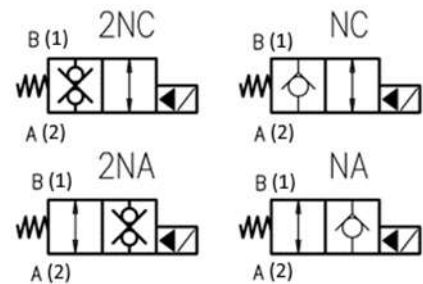
Characteristics

| TYPE | MAX FLOW | WORKING PRESSURE | WEIGHT (VASL) (Without coil) | WEIGHT (VASC) (Without coil) | Locking torque |
|------------|-------------|------------------|---------------------------------|---------------------------------|----------------|
| VAS-**- 17 | 70 lt./min. | Max. 350 Bar | Kg. 1.5 | Kg. 0.22 | Nm 54-66 |

Description

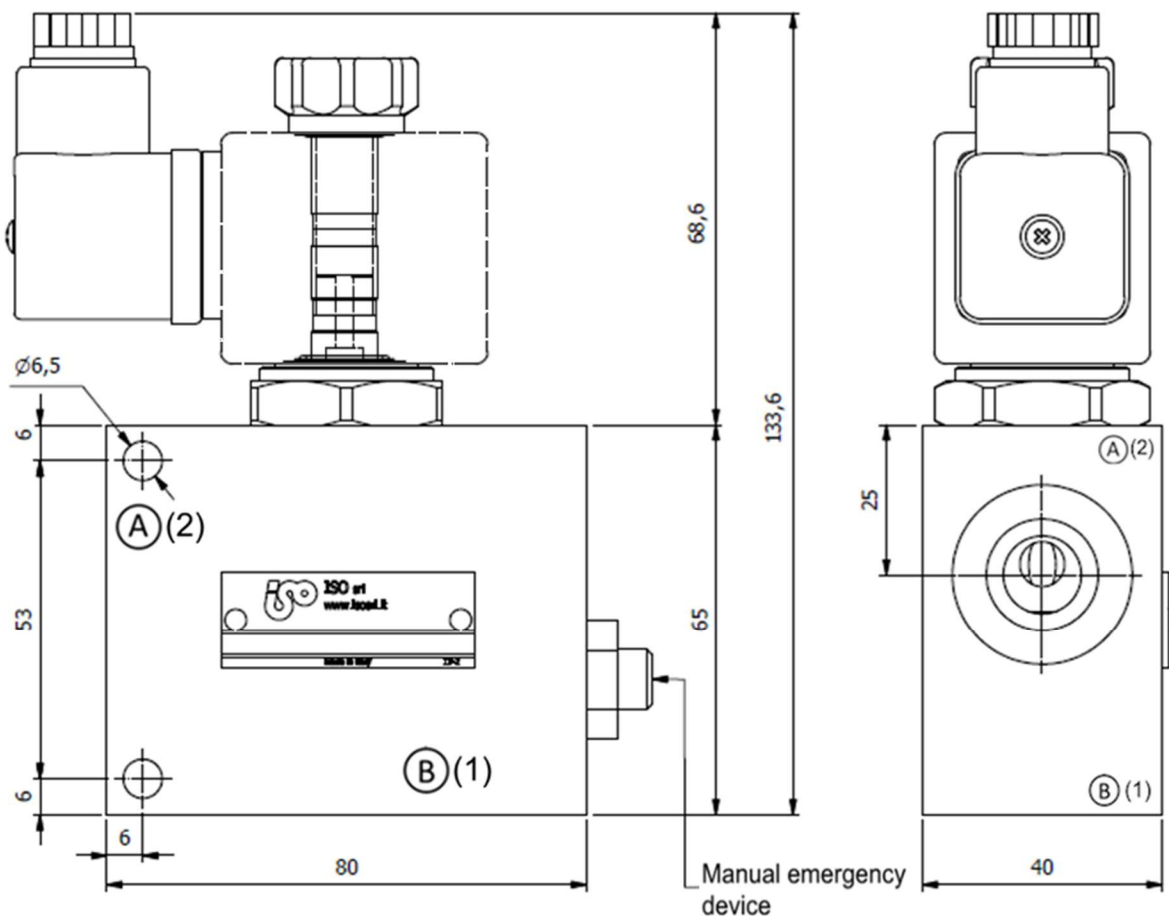
Two-way, solenoid operated, piloted poppet, cartridge valves, NA (normally open) and NC (normally closed) version, with single or double check. They can be supplied with in-line body or as a cartridge (Cavity 17E-2) to be used mounted on integrated manifolds.

Symbol



Dimensions

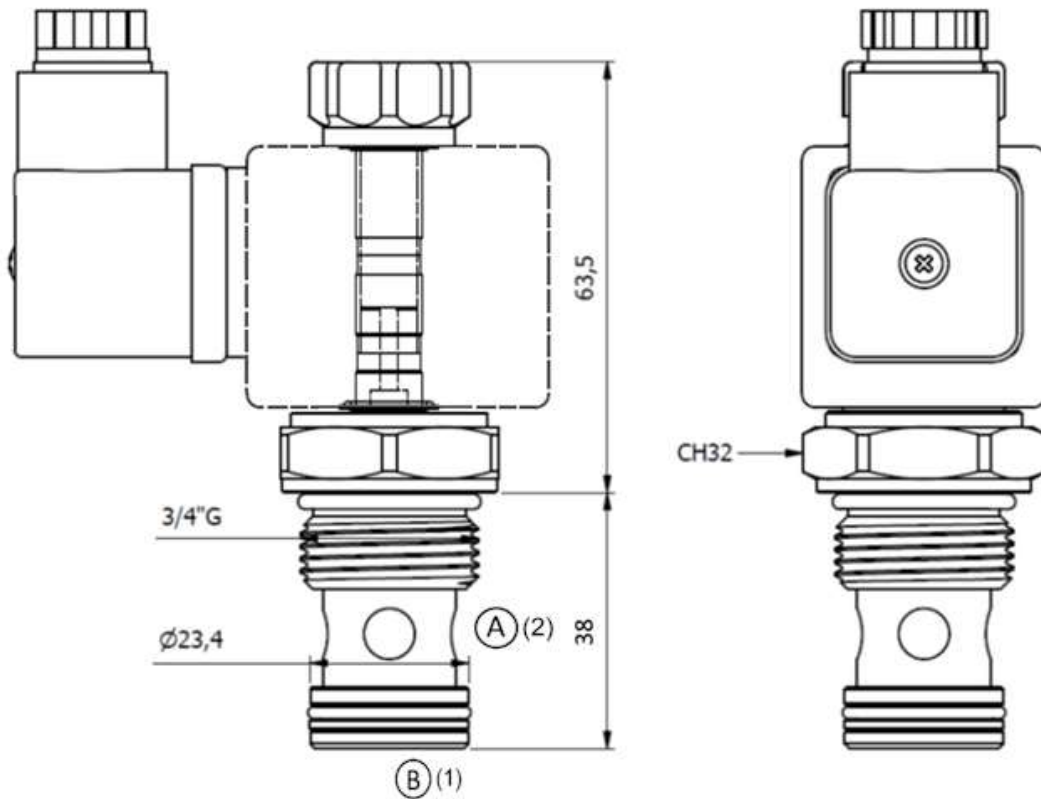
VASL



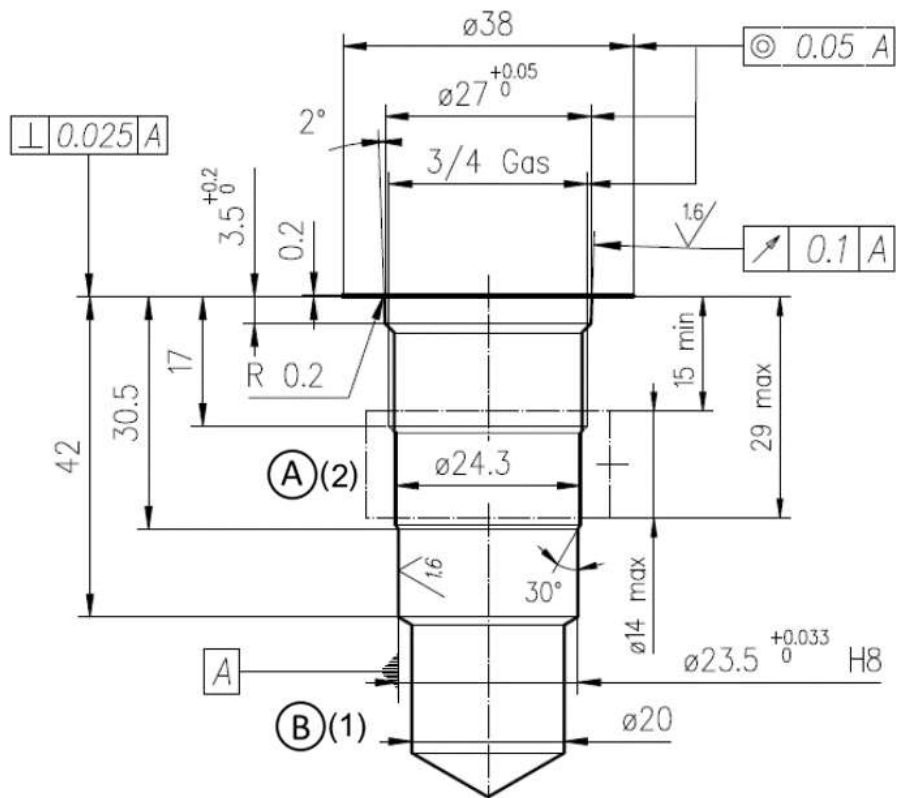
TWO-WAY, SOLENOID OPERATED, PILOTED POPPET, CARTRIDGE VALVE



VASC



Cavity 17E-2



TWO-WAY, SOLENOID OPERATED, PILOTED POPPET, CARTRIDGE VALVE

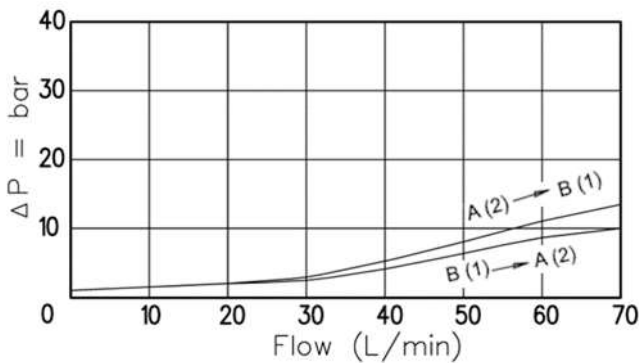


Installation rules

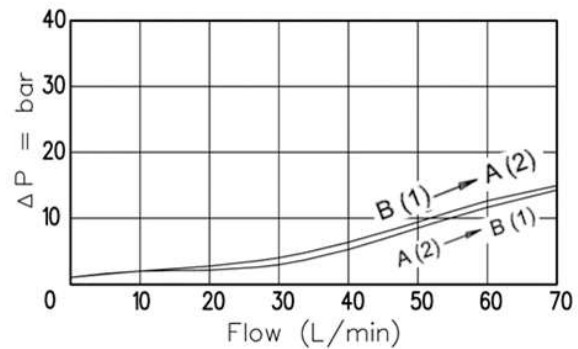
- The valves VAS can be mounted in any direction
- Fluid to be used: hydraulic oil according to DIN 51524 with viscosity between 30 and 100 mm²/s (cSt) at 40°C
- Requested filtration degree: 25μ
- Hydraulic fluid temperature: from -20°C to +75°C

Diagramm

NA e NC



2NA e 2NC



Testing conditions :

- Fluid viscosity : VG46
- Fluid filtration : ISO 4406 15/13/11
- Fluid temperature: 40° C

Coils :

Electric characteristics

| Code | Tension (V) | Current (A) | | Protection Class | Power supply voltage variation | Ambient Temperature | Connection | Weight |
|----------|-------------|-------------------|----------------|------------------|--------------------------------|---------------------|----------------------|---------|
| | | De-energized coil | Energized coil | | | | | |
| CVAS24R | 24V RAC | 0,95 | 0,63 | Class H | +10% -10% Vnom | - 20 +50 °C | DIN-43650 ISO - 4400 | 0,22 Kg |
| CVAS110R | 110V RAC | 0,19 | 0,14 | | | | | |
| CVAS220R | 220V RAC | 0,09 | 0,07 | | | | | |
| CVAS10DC | 10VDC | 1,98 | 1,28 | | | | | |
| CVAS12DC | 12VDC | 1,66 | 1,06 | | | | | |
| CVAS14DC | 14VDC | 1,48 | 0,96 | | | | | |
| CVAS20DC | 20VDC | 0,99 | 0,65 | | | | | |
| CVAS24DC | 24VDC | 0,88 | 0,53 | | | | | |
| CVAS26DC | 26VDC | 0,77 | 0,52 | | | | | |
| CVAS28DC | 28VDC | 0,71 | 0,5 | | | | | |
| CVAS36DC | 36VDC | 0,56 | 0,36 | | | | | |
| CVAS48DC | 48VDC | 0,45 | 0,28 | | | | | |

