



CHECK VALVE VP-NOV

- NG 6, 10
- Up to 350 bar [5 076 PSI]
- Up to 100 L/min [26,4 GPM]
- Connecting dimensions to ISO 4401.
- Flow shut-off in both or one service line.
- For vertical stacking - sandwich plate design.
- Height and width of the valves to ISO 7790 norms.

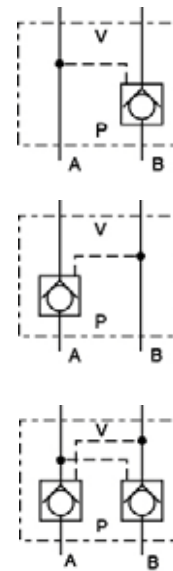


VP-NOV-10-..., VP-NOV-6-..

Operation

Pilot operated check valves type VP-NOV enable the hydraulic fluid flow in the service lines to be automatically shut off and made free, respectively. Free flow direction is always from the valve side "V" to the subplate side "P". In the opposite direction the valve is blocked for the hydraulic fluid flow. Free flow in port A in direction P to V is achieved by means of pressure in port B, and vice versa. To assure zero leakage there is necessary to discharge ports A and B towards T in the zero position of the directional valve.

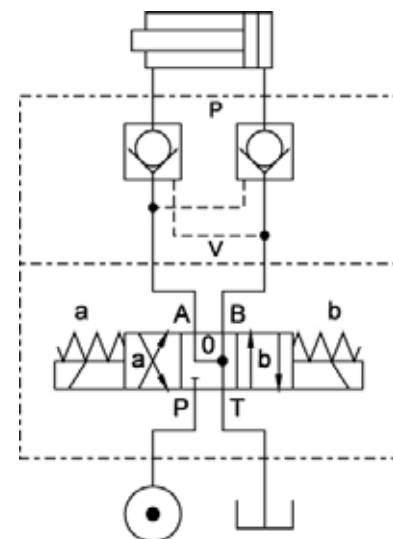
Hydraulic symbols



Features

Size		6	10
Flow rate	L/min [GPM]	60 [15.8]	100 [26.4]
Operating pressure	bar [PSI]	350 [5 076]	
Cracking pressure	bar [PSI]	1 [14.5]	0,5 [7.2]
Area ratio		1:3,9	1:3,6
Oil temperature range	°C [°F]	-20 to +70 [-4 to +158]	
Viscosity range	mm ² /s [SUS]	15 to 380 [69,5 to 1.760]	
Filtration	NAS 1638	8	
Mass	kg [lb]	1,8 [3.9]	3,5 [7.7]

Mounting example



Direct operated valves

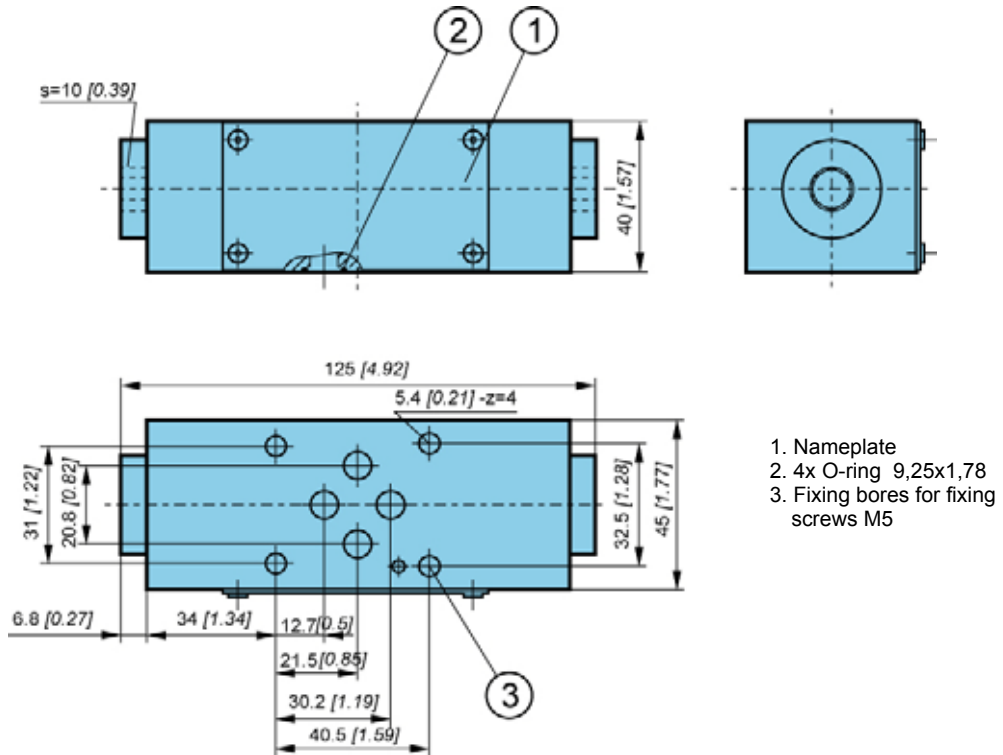
Pilot operated valves

Counterbalance valves

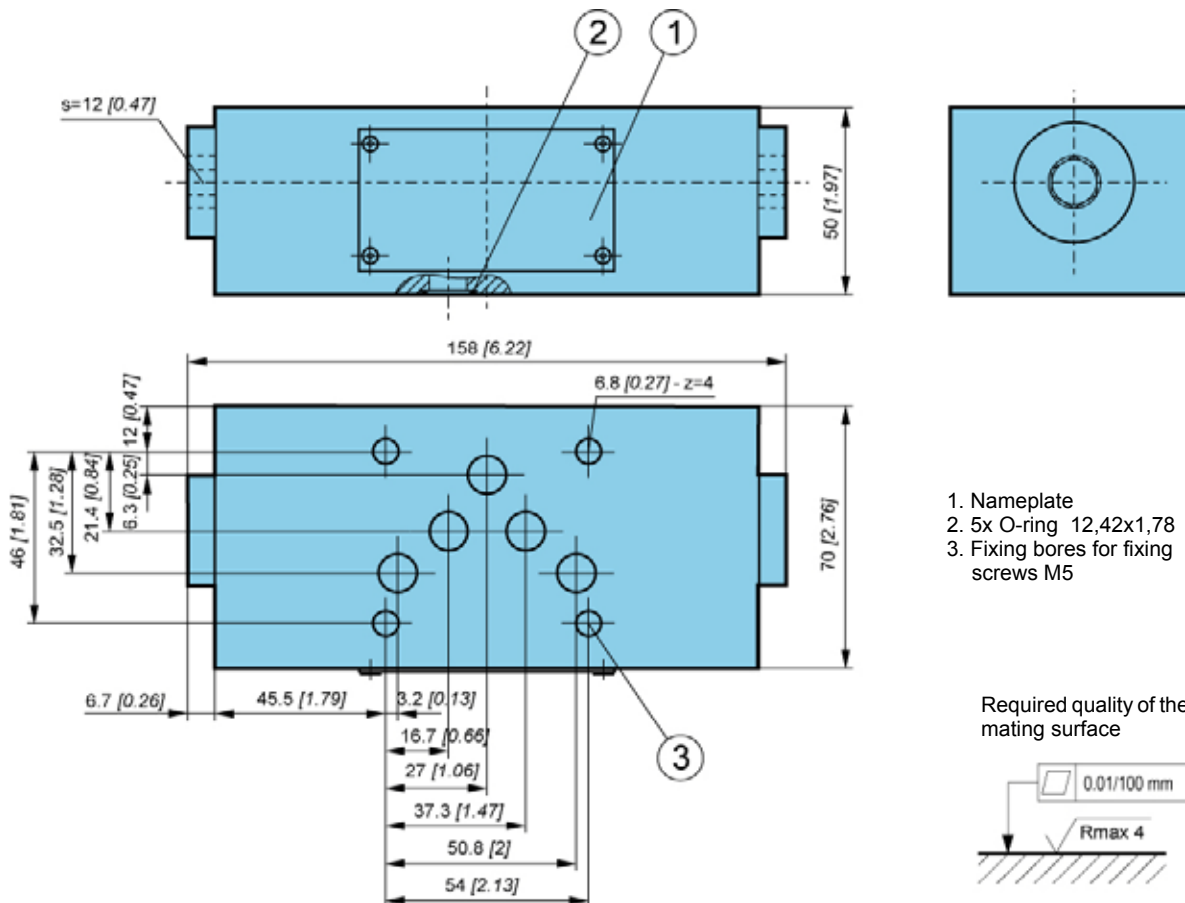


Dimensions

Size 6



Size 10

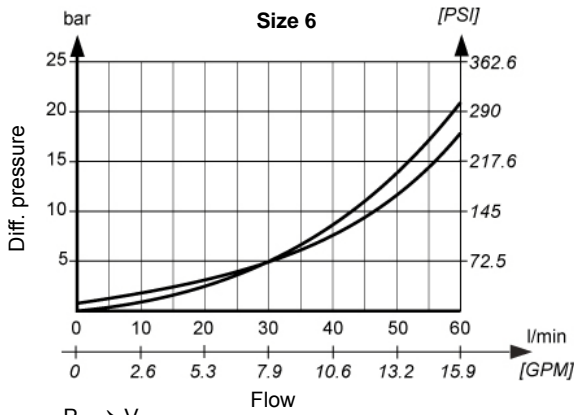




ΔP-Q Performance curves

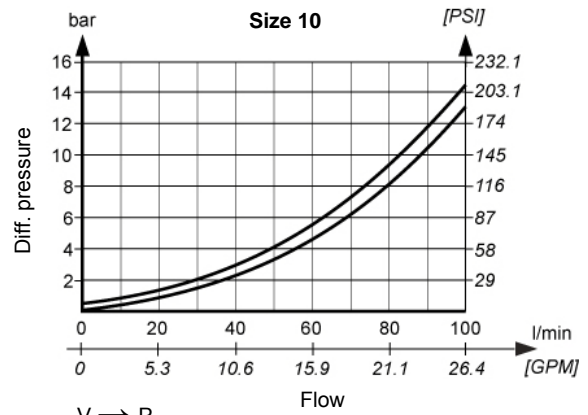
Δp - Q Performance curves of the flow in direction V to P (through check valve) and in direction P to V (check valve pilot opened with $p_x = 80$ bar).

Measured at 50°C [122°F] and viscosity of 32 mm²/s [148 SUS].



P → V
pilot opened

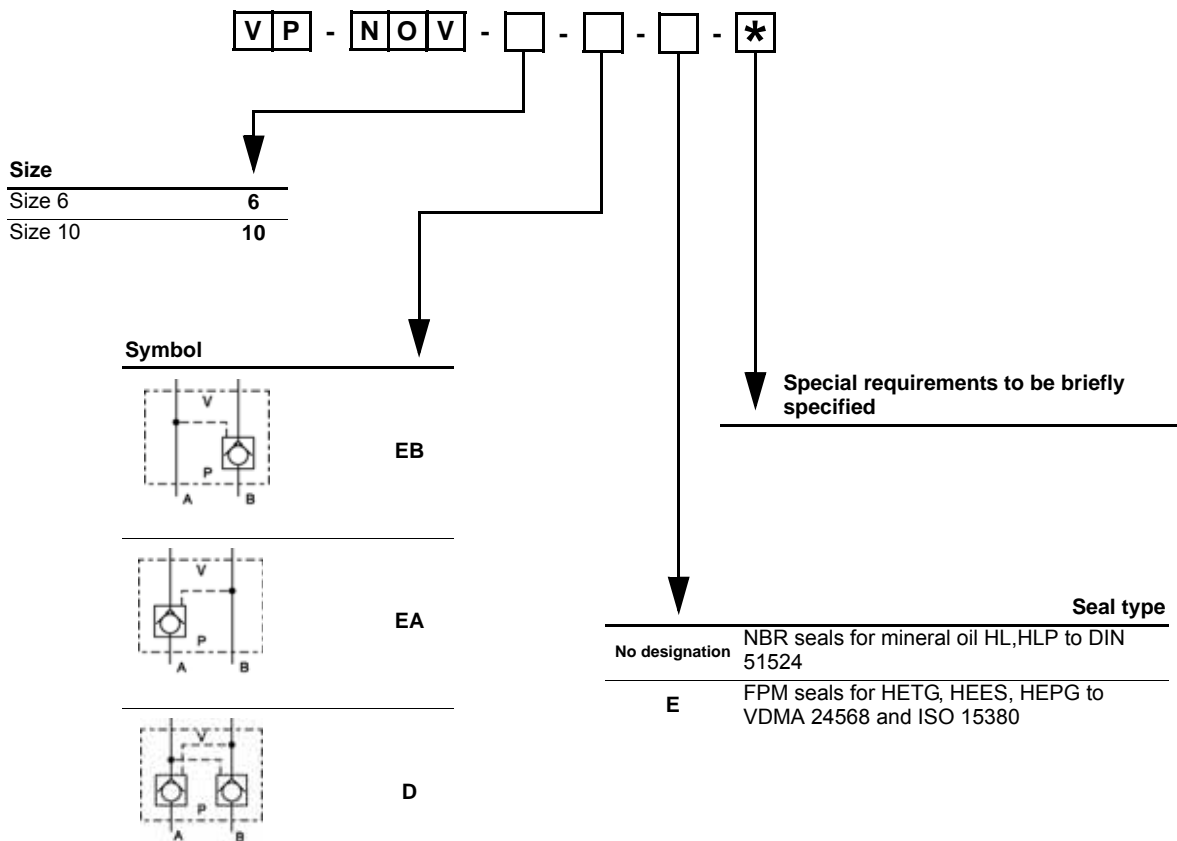
V → P
against spring force



V → P
against spring force

P → V
pilot opened

Model code



Direct operated valves

Pilot operated valves

Counterbalance valves