



## 6/2 WAY DIRECTIONAL VALVES KV

- NG 10
- Up to 350 bar [5 076 PSI]
- Up to 120 L/min [31.7 GPM]
- Plug-in connector for solenoids to ISO 4400.
- Threaded connections to ISO 9974 (Metric), ISO 1179 (BSPP/Gas), ISO 11926 (UNF).
- Protection of solenoid IP65 to EN 50529 / IEC 60529.



KV-6/2-10

### Operation

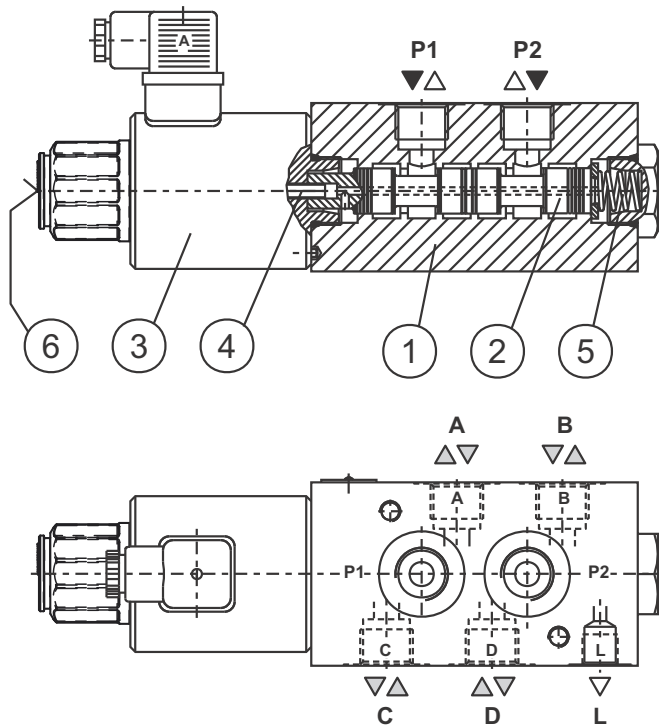
Directional valves type KV with direct solenoid operation control the direction of the hydraulic medium flow. They are mostly used as link between two consumers and the basic directional valve, when we want to control both consumers alternately by means of one basic directional valve.

The KV type directional valves consist of a housing (1), a control spool (2), a solenoid (3) and a return spring (5).

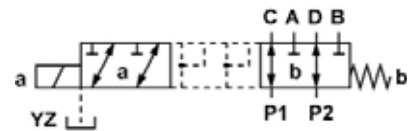
Change-over to the operating position is done by energizing the solenoid (3), whereby the solenoid plunger acts on the control spool (2) via the operating pin (4), thus clearing the corresponding flow ways and establishing respective links between the ports P1, A,B and P2.

When the solenoid (3) is de-energized, the control spool (2) is returned to its neutral position by the return spring (5), thus establishing again the links between ports P1, C,D and P2.

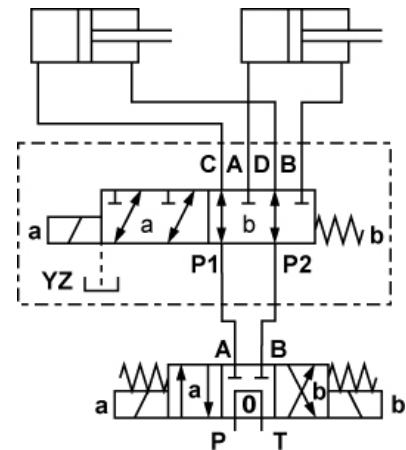
The change-over can also be done manually by pressing the emergency manual override (6).



### Hydraulic symbol



### Mounting example



Mechanically operated

Hydraulically operated

Electrically operated



Features

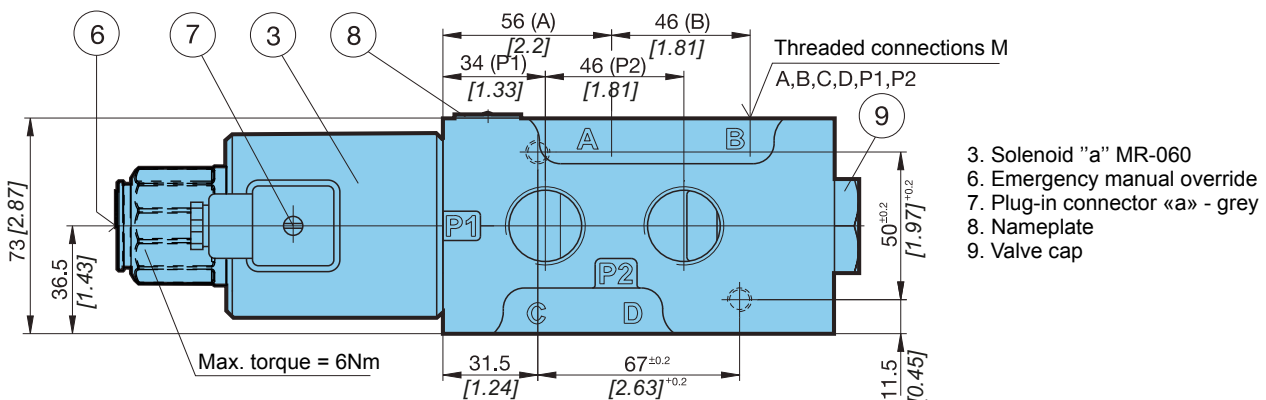
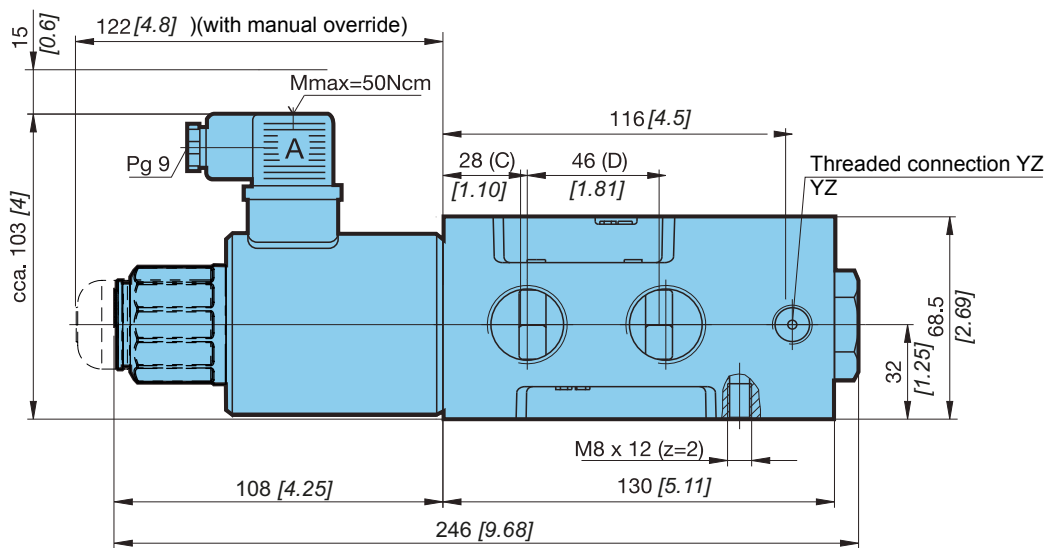
Hydraulic

Size	10	
Flow rate	L/min [GPM]	120 [31.7]
Operating pressure	With YZ	350 [5 076]
	Without YZ	250 [3 625]
Oil temperature range	°C [°F]	-20 to+70 [-4 to +158]
Viscosity range	mm <sup>2</sup> /s [SUS]	15 to 380 [3.24 to 82]
Mounting position	Optional	
Mass	kg [lb]	5,5 [12.12]
Filtration	NAS 1638	8

Electrica

Supply voltage	V	12, 24 DC
Power	W	45
Switching frequency	1/h	15000
Ambient temperature	°C [°F]	to+50 [to +122]
Coil temperature	°C [°F]	to+180 [to +356]
Duty cycle	Continuous	

Dimensions

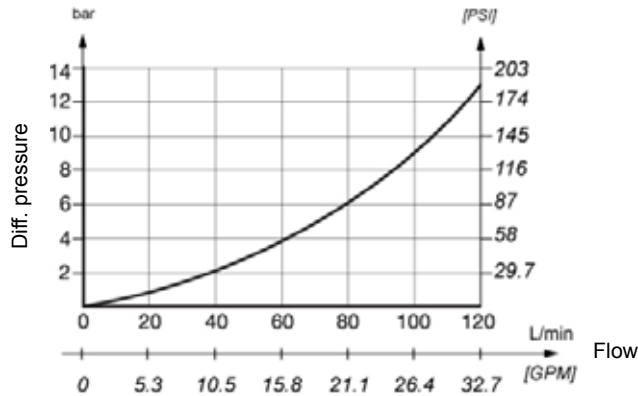


- 3. Solenoid "a" MR-060
- 6. Emergency manual override
- 7. Plug-in connector «a» - grey
- 8. Nameplate
- 9. Valve cap



**ΔP-Q Performance curves**

Measured at 50°C [122°F] and viscosity of 32 mm<sup>2</sup>/s [148 SUS].



**Model code**

**K V** - **6** / **2** - **10** - [ ] - [ ] - [ ] - [ ] - [ ] - [ ] - [ ] - \*

**Manual override option**

Emergency manual override	No designation
Manual override with rubber cover	<b>G</b>
Lockable manual override	<b>C</b>

**Supply voltage**

Direct voltage 24V	No designation
Direct voltage 12V	<b>12 DC</b>

**Connector type**

EN 175301-803 without signal lamp	No designation
EN 175301-803 with signal lamp	<b>L</b>
EN 175301-803 without connector	<b>K</b>
AMP Junior timer without connector	<b>M</b>
Deutsch	<b>V</b>

**Overvoltage**

Without overvoltage protection	No designation
With overvoltage protection	<b>T</b>

**Threaded connections M ; YZ**

M22x1,5; M14x1,5	<b>M22</b>
M27x2; M14x1,5	<b>M27</b>
G1/2; G1/4	<b>1/2</b>
G3/4; G1/4	<b>3/4</b>
7/8-14 UNF-2B; 9/16-18 UNF-2B	<b>SAE 10</b>

**Drainage**

Without YZ	No designation
With YZ	<b>YZ</b>

**Seal type**

NBR seals for mineral oil HL, HLP to DIN 51524	No designation
FPM seals for HETG, HEES, HEPG to VDMA 24568 and ISO 15380	<b>E</b>

**Special requirements to be briefly specified**

Mechanically operated

Hydraulically operated

Electrically operated