



6/2 WAY DIRECTIONAL VALVE KV

- NG 6
- Up to 350 bar [5 076 PSI]
- Up to 50 L/min [13.2 GPM]
- Plug-in connector for solenoids to ISO 4400.
- Threaded connections to ISO 9974 (Metric), ISO 1179 (BSPP/Gas), ISO 11926 (UNF).
- Protection of solenoid IP 65 to EN 60529 / IEC 60529.
- Fulfil EMC (89/336/EEC).



KV-6/2-6-S50

Operation

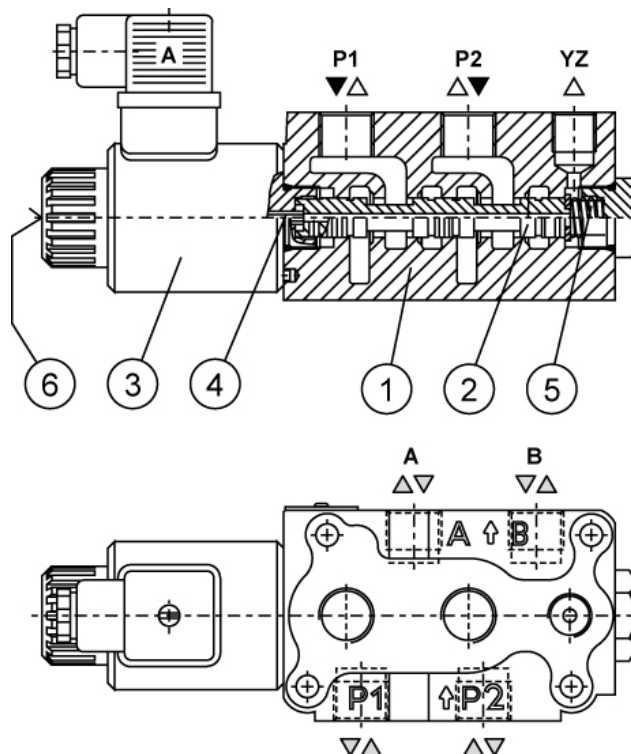
Directional valves type KV with direct solenoid operation control the direction of the hydraulic medium flow. They are mostly used as link between two consumers and the basic directional valve, when we want to control both consumers alternately by means of one basic directional valve.

The KV type directional valves consist of a housing (1), a control spool (2), a solenoid (3) and a return spring (5).

Change-over to the operating position is done by energizing the solenoid (3), whereby the solenoid plunger acts on the control spool (2) via the operating pin (4), thus clearing the corresponding flow ways and establishing respective links between the ports P1, A, B and P2.

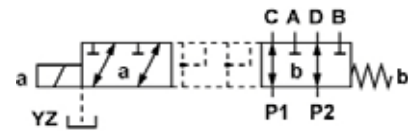
When the solenoid (3) is de-energized, the control spool (2) is returned to its neutral position by the return spring (5), thus establishing again the links between ports P1, C, D and P2.

The change-over can also be done manually by pressing the emergency manual override (6).

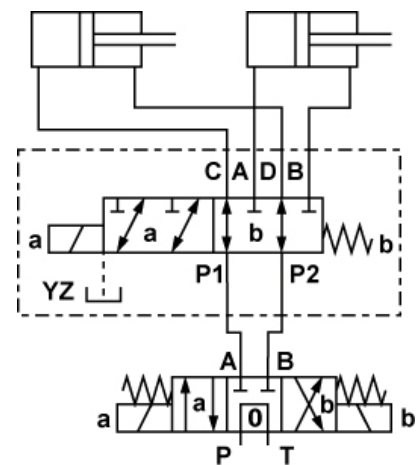


Hydraulic symbol

Spool type



Mounting example



Mechanically operated

Hydraulically operated

Electrically operated



Features

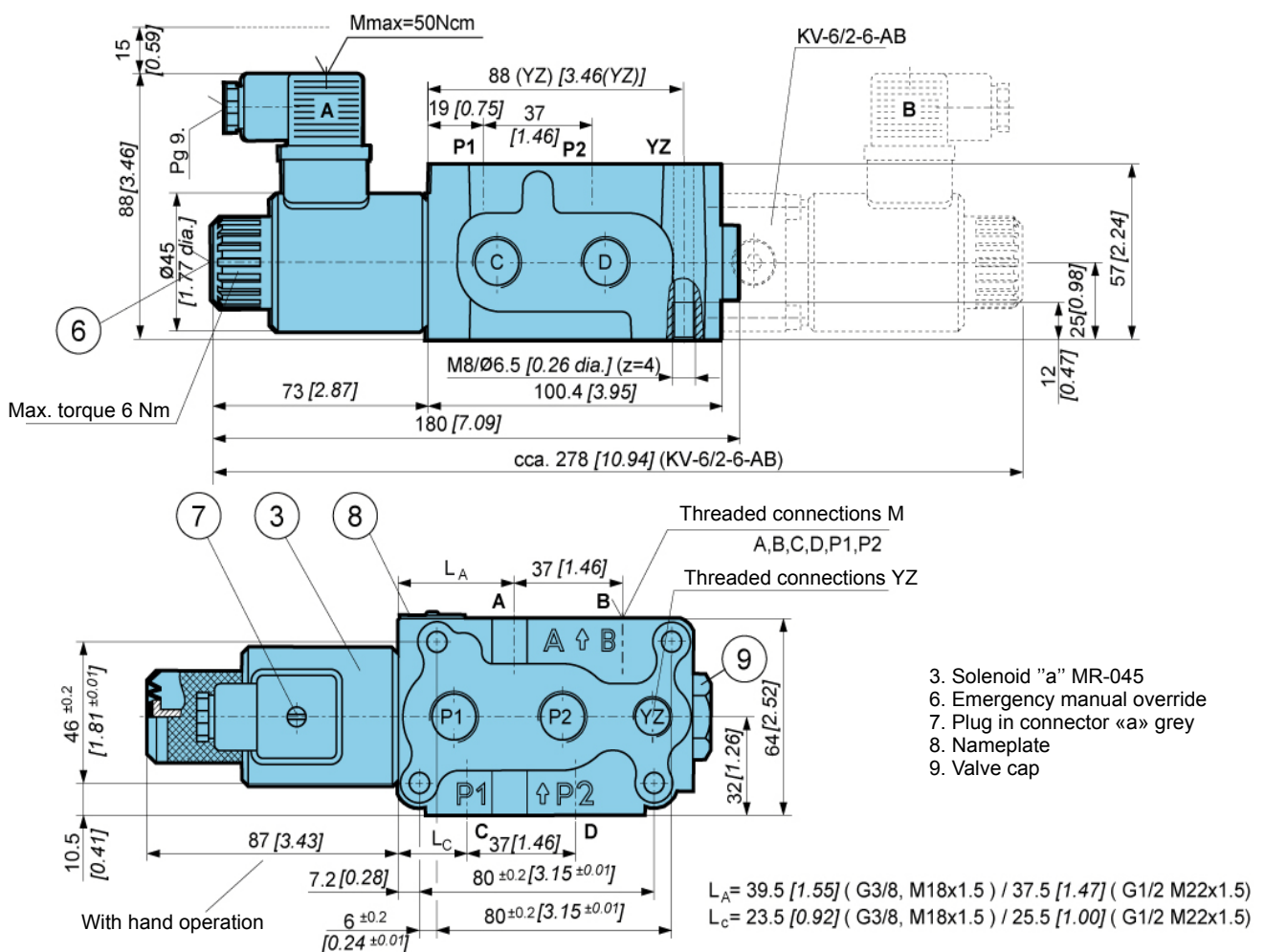
Hydraulic

| | | |
|-----------------------|--------------------------|-------------------------|
| Size | 6 | |
| Flow rate | L/min [GPM] | 50 [13.2] |
| Operating pressure | With YZ | 350 [5 076] |
| | Without YZ | 250 [3 625] |
| Oil temperature range | °C [°F] | -20 to +70 [-4 to +158] |
| Viscosity range | mm ² /s [SUS] | 15 to 380 [3.24 to 82] |
| Mounting position | Optional | |
| Mass | kg [lb] | 2,5 [5.51] |
| Filtration | NAS 1638 | 8 |

Electrical

| | | |
|---------------------|------------|-------------------|
| Supply voltage | V | 12, 24 DC |
| Power | W | 31 |
| Switching frequency | 1/h | 15 000 |
| Ambiant temperature | °C [°F] | to +50 [to +122] |
| Coil temperature | °C [°F] | to +180 [to +356] |
| Duty cycle | Continuous | |

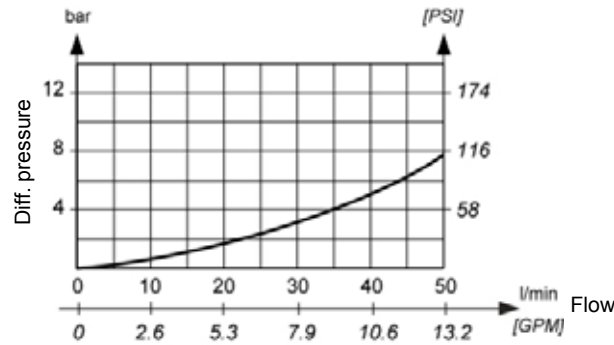
Dimensions





ΔP-Q Performance curve

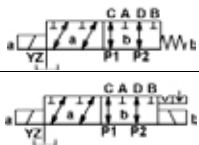
Measured at 40°C [104°F] and viscosity of 32 mm²/s [148 SUS].



Model code

K V - 6 / 2 - 6 - [] - [] - [] - [] - [] - [] - [] - [] - S 5 0 - *

Spool type

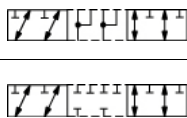


No designation

AB

Special requirements to be briefly specified

Overlap



No designation

P

Seal type

No designation NBR seals for mineral oil HL, HLP to DIN 51524
 E FPM seals for HETG, HEES, HEPG to VDMA 24568 and ISO 15380

Manual override option

Emergency manual override No designation
 Manual override with rubber cover G
 Lockable manual override C

Drainage

No designation Without YZ
 YZ With YZ

Supply voltage

Direct voltage 24V No designation
 Direct voltage 12V 12 DC

Connector type

EN 175301-803 without signal lamp No designation
 EN 175301-803 with signal lamp L
 EN 175301-803 without connector K
 AMP Junior timer without connector M
 Deutsch V

Threaded connections M ; YZ

No designation M18x1,5 ; M14x1,5
 M22 M22x1,5 ; M14x1,5
 3/8 G3/8 ; G1/4
 1/2 G1/2 ; G1/4
 SAE 8 3/4-16 UNF-2B; 9/16-18 UNF-2B

Overvoltage protection

Without protection No designation
 With protection T

Mechanically operated

Hydraulically operated

Electrically operated