



## 3/2 WAY DIRECTIONAL VALVES KVC

- NG 10
- Up to 350 bar [5 076 PSI]
- Up to 100 L/min [26.4 GPM]
- Direct in-line mounting.
- Plug-in connector for solenoids to ISO 4400.
- Threaded connections to ISO 9974 (Metric), ISO 1179 (BSPP/Gas), ISO 11926 (UNF).
- Protection of solenoid IP65 to EN 50529 / IEC 60529.



KVC-3/2-10

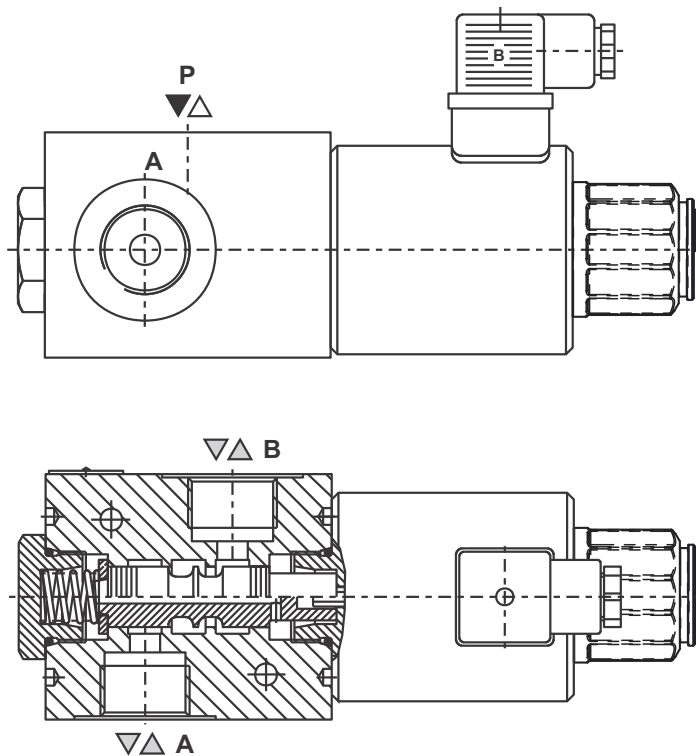
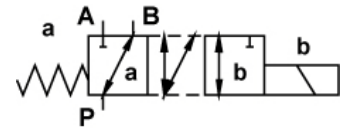
### Operation

Directional valves type KVC-3/2-10 with direct solenoid operation are used to control the direction of hydraulic fluid flow.  
 Type KVC-3/2-10 is a reduced version of type KV-6/2. It is used for alternate control of two one-pipe working units (e.g. Plunger) with common, main directional valve.

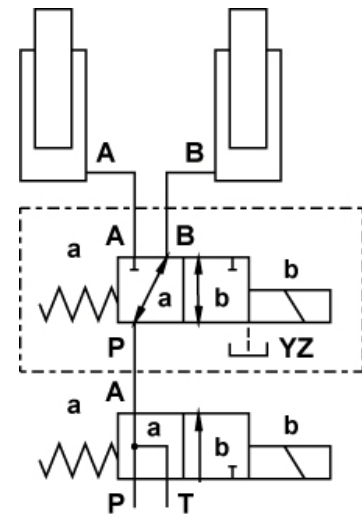
It is also very proper as bypass valve.

The change-over can also be done manually by pressing the emergency manual override.

### Hydraulic symbol



### Mounting example



Mechanically operated

Hydraulically operated

Electrically operated



Features

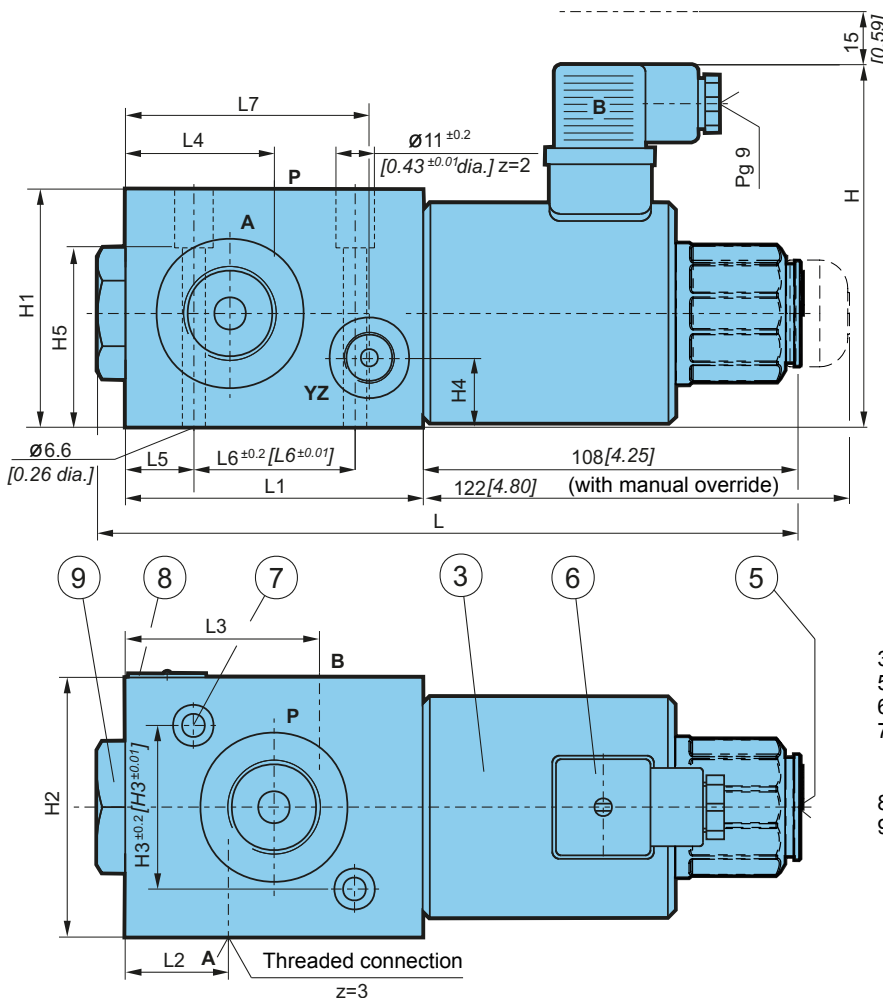
Hydraulic

<b>Size</b>		<b>10</b>
<b>Flow rate</b>	Without drainage	60 [15.8]
	With drainage	100 [26.4]
<b>Operating pressure</b>	Without drainage	250 [3 625]
	With drainage	350 [5 076]
<b>Oil temperature range</b>	°C [°F]	-20 to +70 [-4 to +158]
<b>Viscosity range</b>	mm <sup>2</sup> /s [SUS]	15 to 380 [3.24 to 82]
<b>Mounting position</b>		Optional
<b>Mass</b>	Without drainage	5,6 [12.34]
	With drainage	7,1 [15.65]
<b>Filtration</b>	NAS 1638	8

Electrical

<b>Supply voltage</b>	V	12, 24 DC
<b>Power</b>	W	45
<b>Switching frequency</b>	1/h	15000
<b>Ambient temperature</b>	°C [°F]	to +50 [to + 122]
<b>Coil temperature</b>	°C [°F]	to +180 [to + 356]
<b>Duty cycle</b>		Continuous

Dimensions



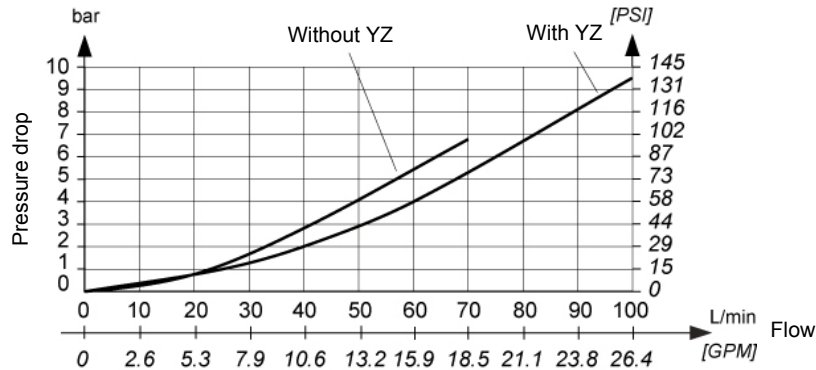
Dimensions	Without YZ	With YZ
L	201 [7.91]	210 [8.27]
L1	85 [3.34]	94 [3.70]
L2	29,5 [1.16]	31,5 [1.24]
L3	55,5 [2.18]	62,5 [2.46]
L4	42,5 [1.67]	47 [1.85]
L5	19,5 [0.76]	18 [0.71]
L6	46 [1.81]	40 [1.57]
L7	-	79,5 [3.13]
H	104 [4.09]	105 [4.13]
H1	67 [2.63]	74 [2.91]
H2	73 [2.87]	90 [3.54]
H3	46 [1,81]	66 [2,60]
H4	-	33 [1,30]
H5	50,5 [1,98]	31 [1,22]

- 3. Solenoid "b" MR-060
- 5. Emergency manual override
- 6. Plug-in connector "b" -black
- 7. Fixing screws:  
-without YZ: 2 x M6x60 to ISO 4762-10.9  
-with YZ: - 2 x M6x40 to ISO 4762-10.9
- 8. Nameplate
- 9. Valve cap



**ΔP-Q Performance curves**

Measured at 50°C [122°F] and viscosity of 32 mm<sup>2</sup>/s [148 SUS].



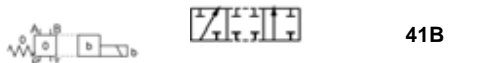
**Model code**

**K V C** - **3** / **2** - **10** - **41B** - **1** - **1** - **1** - **1** - **1** - **\***

**Manual override option**

Emergency manual override	No designation
Manual override with rubber cover	<b>G</b>
Lockable manual override	<b>C</b>

**Spool type**



**Supply voltage**

Direct voltage 24V	No designation
Direct voltage 12V	<b>12 DC</b>

**Connector type**

175301-803 without signal lamp	No designation
EN 175301-803 with signal lamp	<b>L</b>
EN 175301-803 without connector	<b>K</b>
AMP Junior timer without connector	<b>M</b>
Deutsch	<b>V</b>

**Overvoltage**

Without overvoltage protection	No designation
With overvoltage protection	<b>T</b>

**Special requirements to be briefly specified**

**Seal type**

No designation	NBR seals for mineral oil HL, HLP to DIN 51524
<b>E</b>	FPM seals for HETG, HEES, HEPG to VDMA 24568 and ISO 15380

**Drainage**

No designation		Without YZ
<b>YZ</b>		With YZ
<b>YZP</b>		With YZ plugged

**Threaded connections A,B,P ; YZ**

No designation	M18x1,5 ; -
<b>M22</b>	M22x1,5 ; -
<b>M20</b>	M20x1,5 ; -
<b>3/8</b>	G3/8 ; -
<b>1/2</b>	G1/2 ; -
<b>3/4</b>	G3/4 ; -
<b>3/4</b>	G3/4 ; G1/4
<b>SAE 12</b>	1 1/16-12 UNF-2B; 9/16-18 UNF-2B
<b>SAE 10</b>	7/8-14 UNF-2B; 9/16-18 UNF-2B

Mechanically operated

Hydraulically operated

Electrically operated