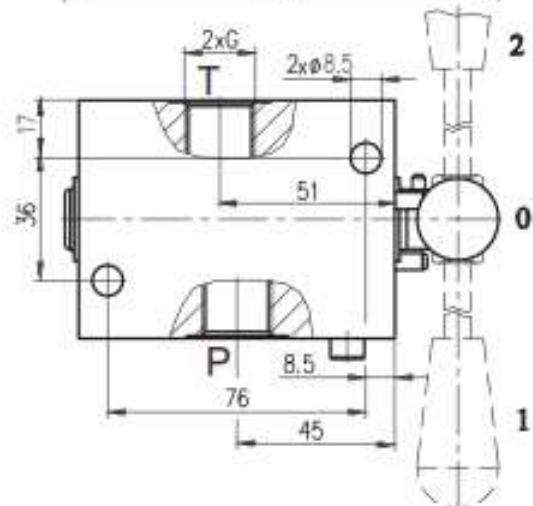
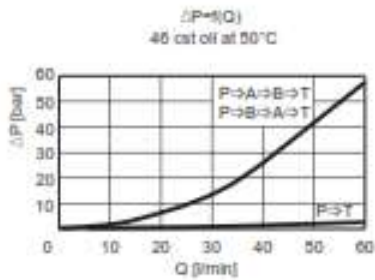
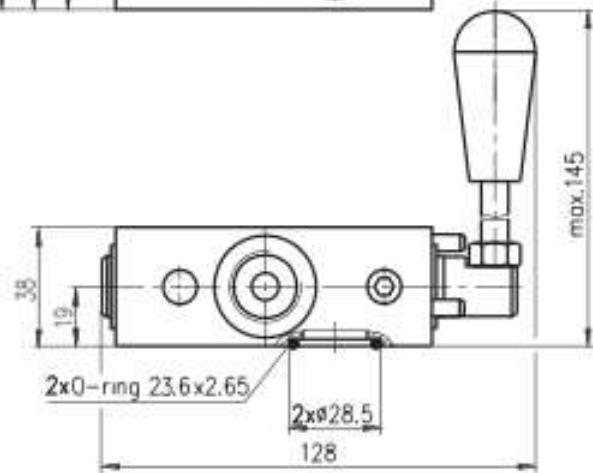
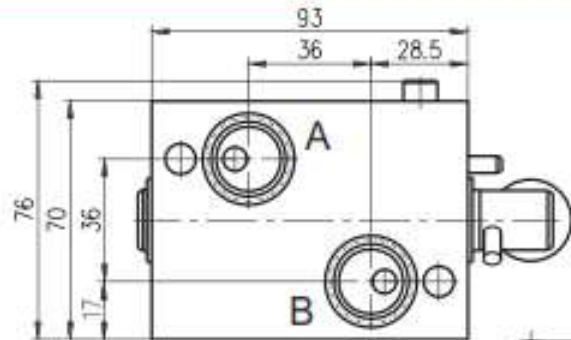
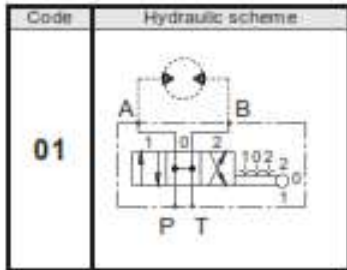


HYDRAULIC MOTOR BLOCKS TYPE BD

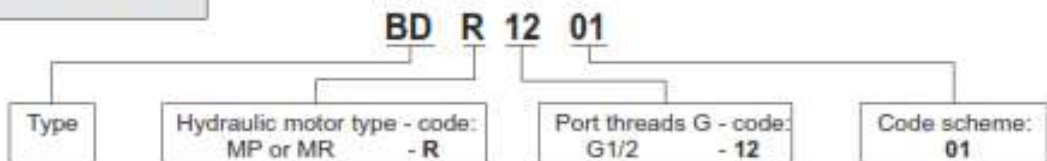


BDR 1201



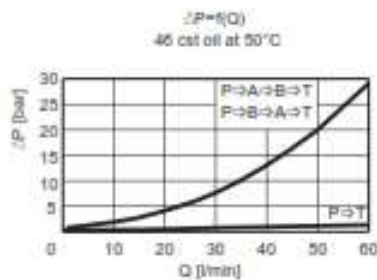
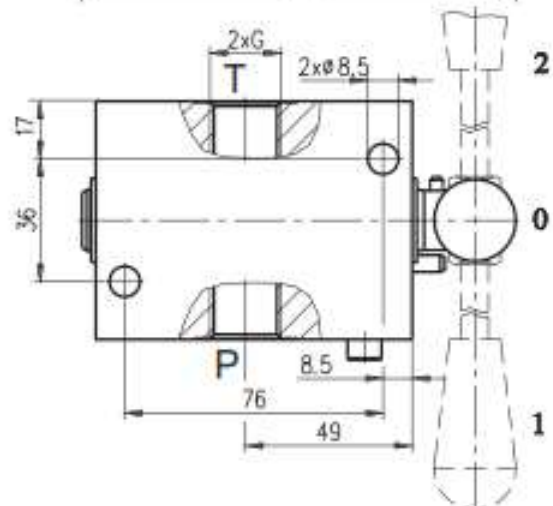
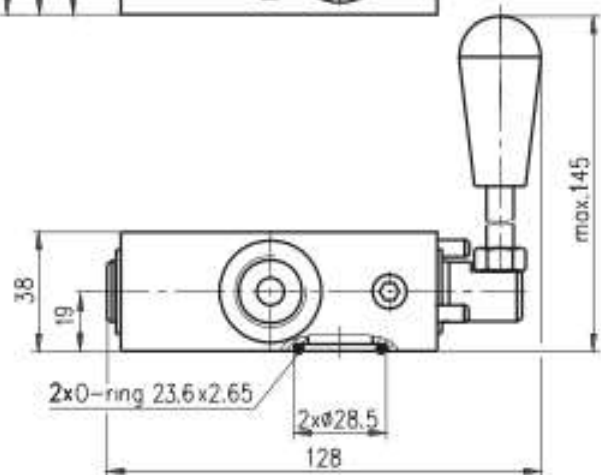
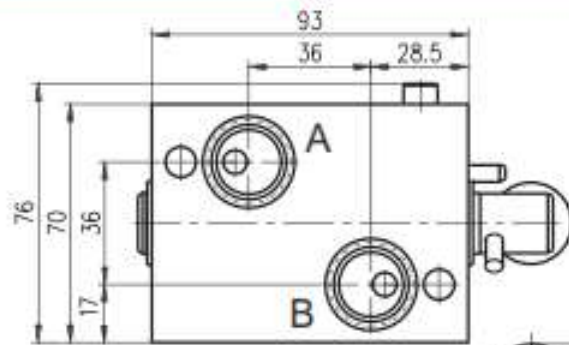
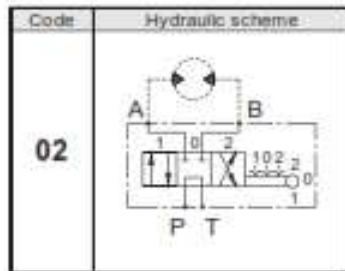
Type	Nom. flow rate L/min	P _{nom.} bar	Port threads G
BDR 1201	60	210	G1/2 - DIN 3852

ORDERING CODE



HYDRAULIC MOTOR BLOCKS TYPE BD

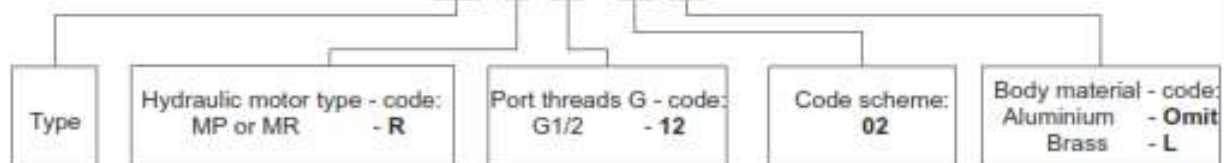
BDR 1202 .



Type	Nom. flow rate L/min	P _{nom.} bar	Port threads G
BDR 1202 .	60	210	G1/2 - DIN 3852

ORDERING CODE

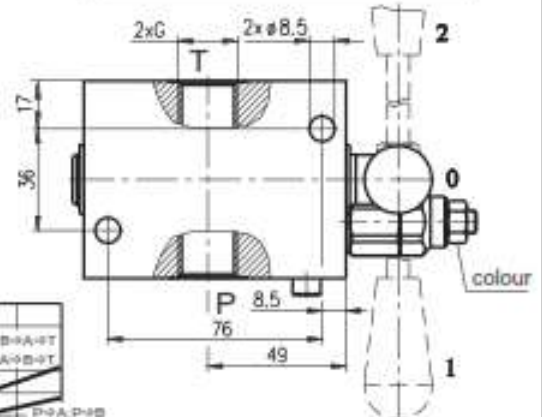
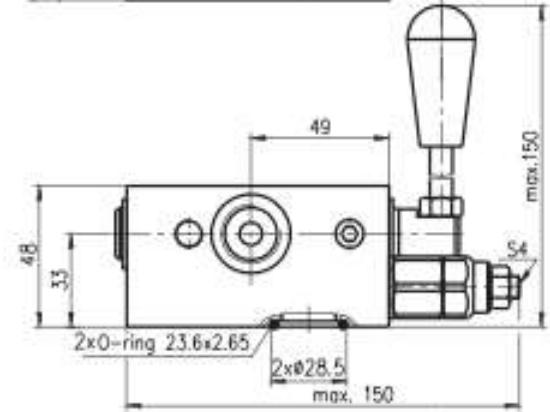
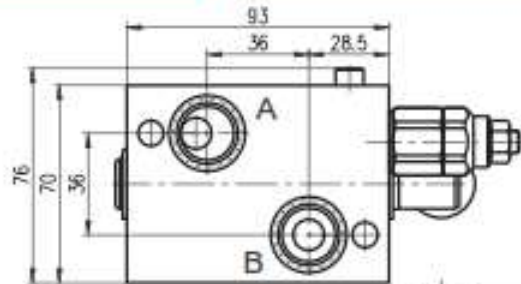
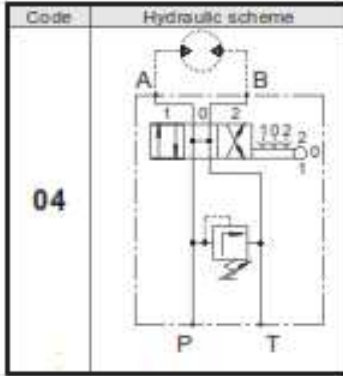
BD R 12 02 L



HYDRAULIC MOTOR BLOCKS TYPE BD

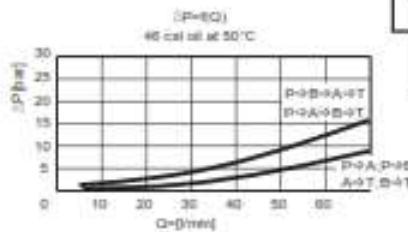


BDR 1204 . /...



Pressure range			
Code	Standard setting (Q=5l/min)	Adj. pressure range	Colour
	bar	bar	
10	60	10...100	White
25	160	30...250	Yellow

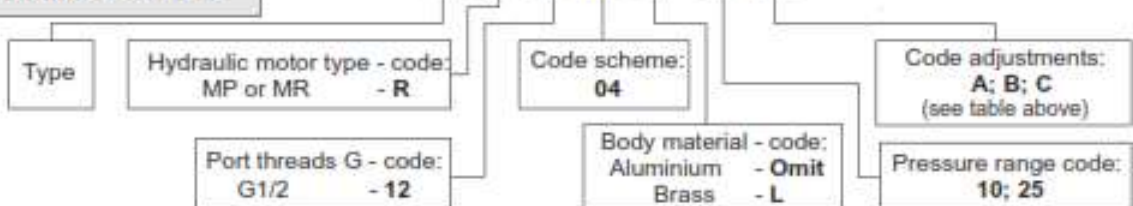
Code	Adjustments
A	Leakproof hex. socket screw
B	Handknob and locknut
C	Sealing cap



Type	Nom. flow rate l/min	P _{max.} bar	Port threads G
BDR 1204 . /...	60	250	G 1/2 - DIN 3852

ORDERING CODE

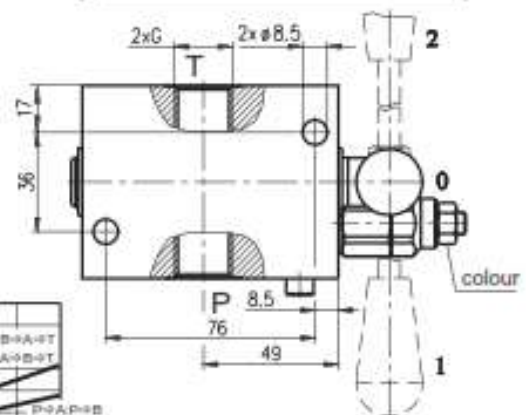
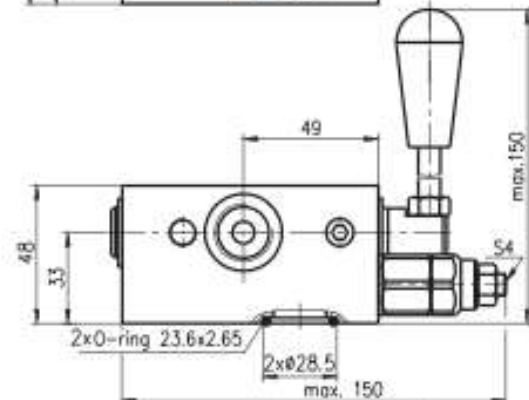
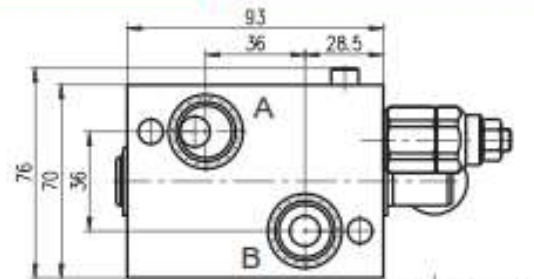
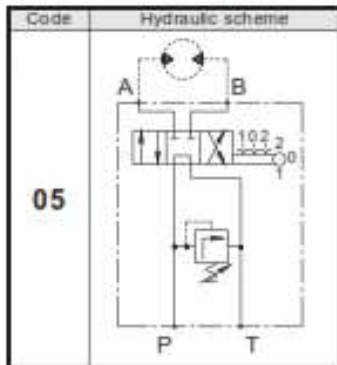
BD R 12 04 L / 10 A



HYDRAULIC MOTOR BLOCKS TYPE BD

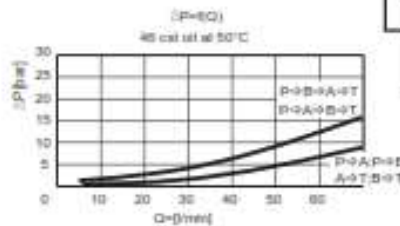


BDR 1205 . / . .



Pressure range			
Code	Standard setting (Q=5l/min)	Adj. pressure range	Colour
	bar	bar	
10	50	10...100	White
25	150	30...250	Yellow

Code	Adjustments
A	Leakproof hex socket screw
B	Handknob and locknut
C	Sealing cap



Type	Nom. flow rate L/min	P _{max} bar	Port threads G
BDR 1205 . / . .	70	250	G 1/2 - DIN 3852

ORDERING CODE

BD R 12 05 L / 10 A

Type

Hydraulic motor type - code:
MP or MR - **R**

Code scheme:
05

Code adjustments:
A; B; C
(see table above)

Port threads G - code:
G 1/2 - **12**

Body material - code:
Aluminium - **Omit**
Brass - **L**

Pressure range code:
10; 25