

Ordercode:

BD - R - * - *

directional control valve with relief valve

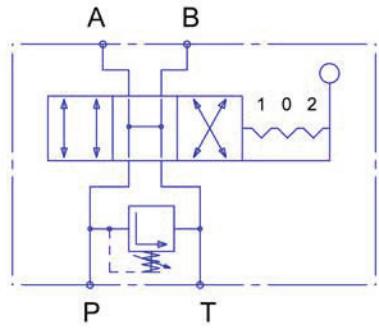
OMP-/MP-design

OMR-/MR-design

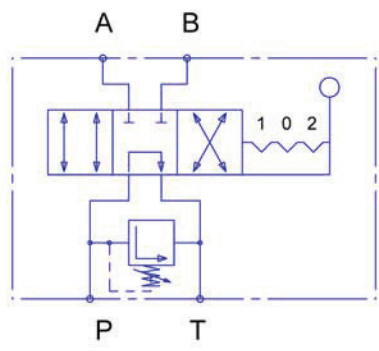
ports:
 G = BSP 1/2"
 M = M22x1,5
 U = 7/8-14 UNF

symbol

symbol 04:



symbol 05:



Technical data:

- body: cast iron GG25
- 2 pcs. O-Rings in delivery
- installation with 2 pcs. M8x50 DIN912
- pressure: 250 bar
- flow rate: 60 l/min