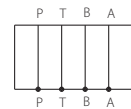
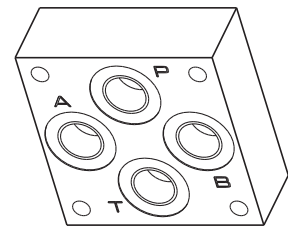
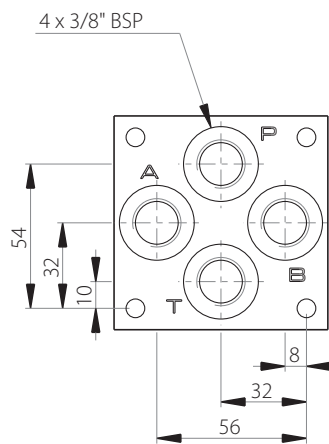
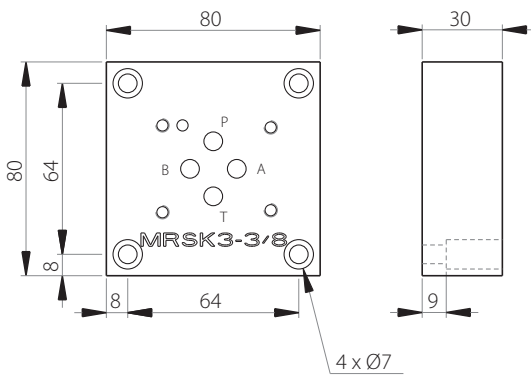
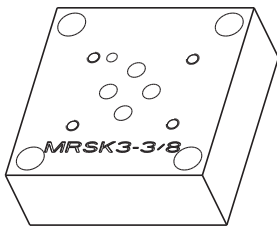




# MRSK3

Bottom ports subplate  
CETOP 3 / NG6



Designation code :

MR . S . K - 3 - 3/8" G

MECABOR

Subplate

Bottom ports

G : ports BSP

CETOP 3

### Technical specifications

Material	Steel-Phosphating
Pressure	350 bar max
Flow rate	60 L/min max
Weight	1.19 kg