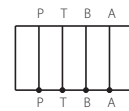
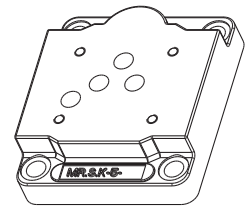
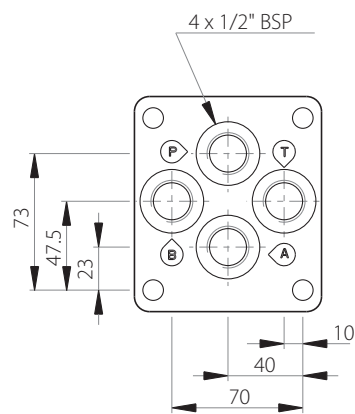
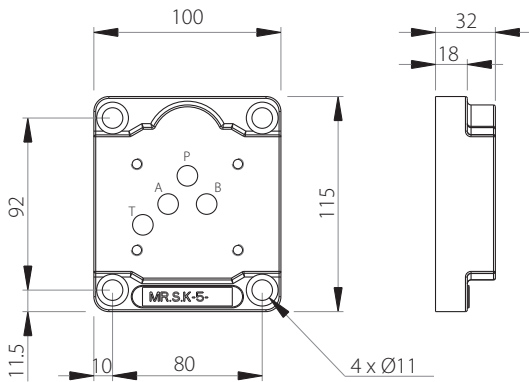
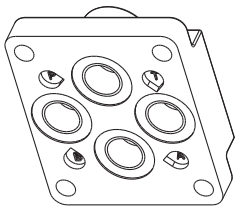


MRSK5

Bottom ports subplate
CETOP 5 / NG10



Technical specifications	
Material	Steel-Phosphating
Pressure	350 bar max
Flow rate	100 L/min max
Weight	1.9 kg

