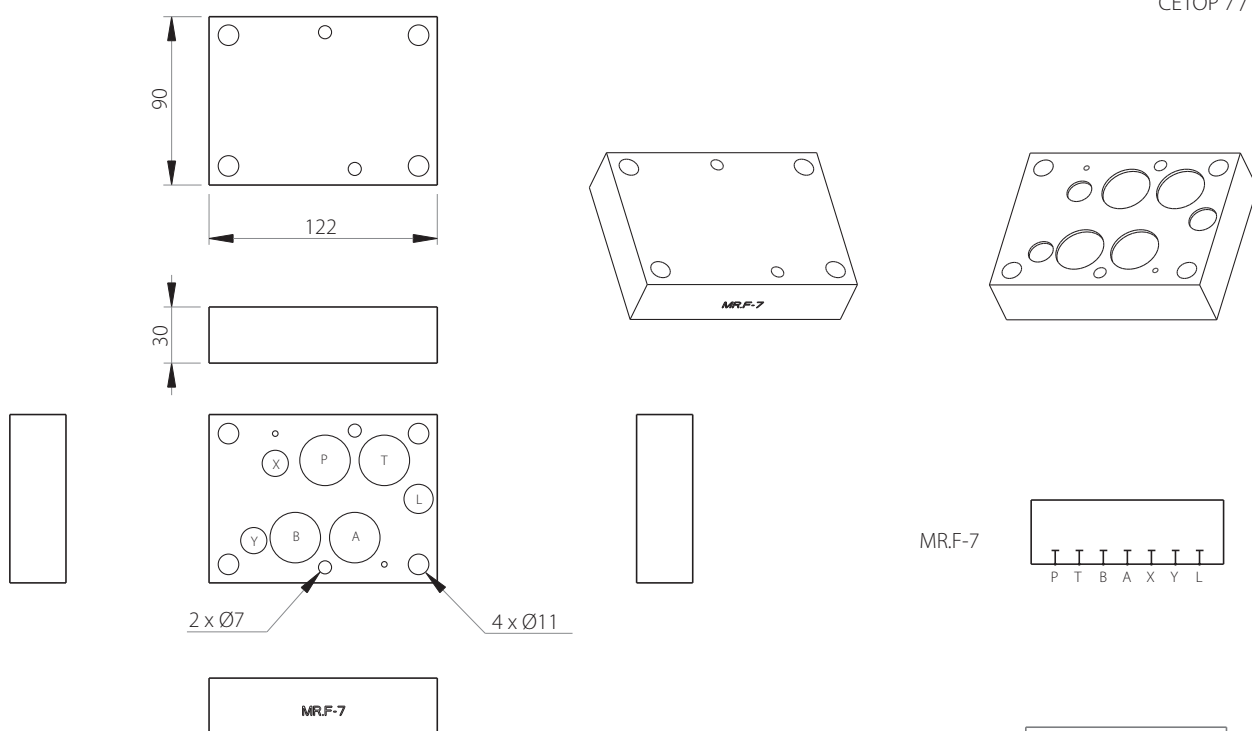


MRF7

Blanking plate
CETOP 7 / NG16



Technical specifications	
Material	Steel-Phosphating
Pressure	400 bar max
Weight	2.60 kg
Supplied with seals and screws	

