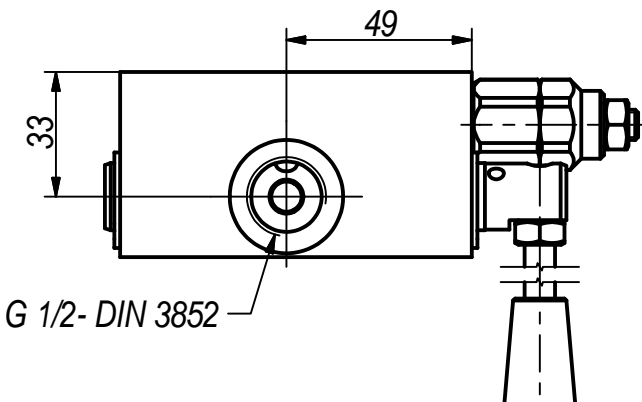
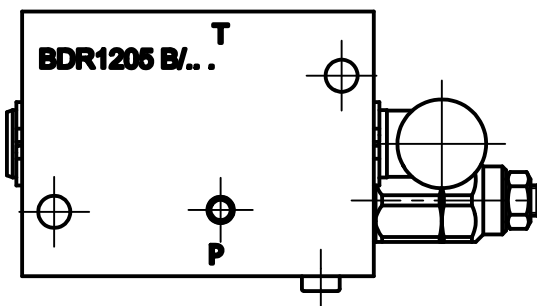
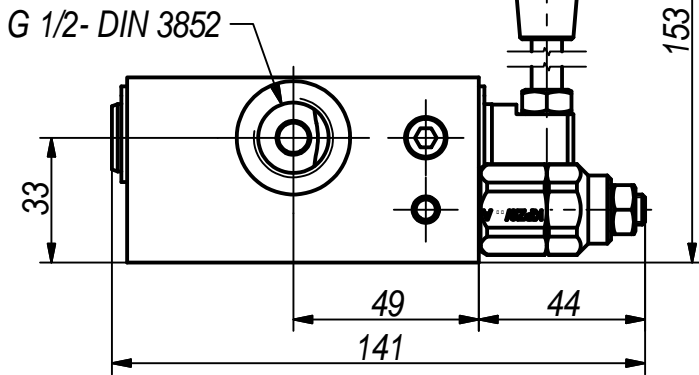
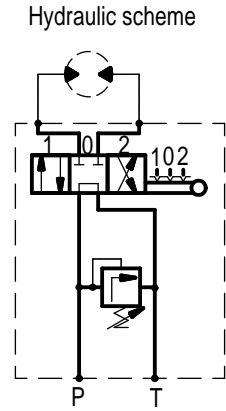
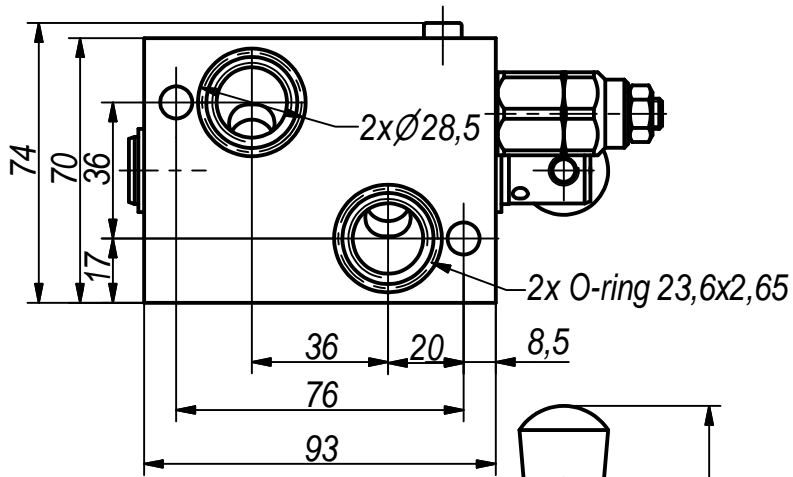


Hydraulic block BDR 1205B/ ..



Type	Qnom [l/min]	Pmax [bar]	Adj. pressure range [bar]	Standard setting (Q=5l/min)
BDR1205B/10A	50	250	10...100	80
BDR 1205B/25A	50	250	30...250	180