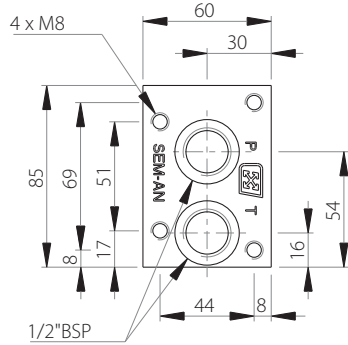
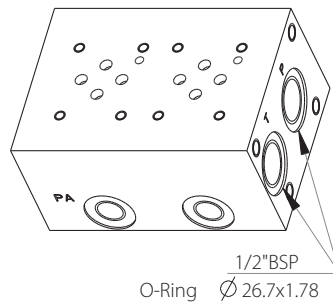


#### Technical specifications

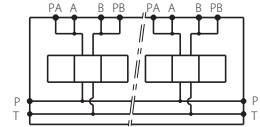
|           |                   |
|-----------|-------------------|
| Material  | Steel-Phosphating |
| Pressure  | 300 bar max       |
| Flow rate | 50 L/min max      |



## MRK3-PAB

Bottom ports manifold  
+ pressure test points on A and B  
CETOP 3 / NG6

| Stations | X   | Y   | (kg)  |
|----------|-----|-----|-------|
| 1        | 70  | 54  | 2.35  |
| 2        | 120 | 104 | 3.90  |
| 3        | 170 | 154 | 5.45  |
| 4        | 220 | 204 | 7.00  |
| 5        | 270 | 254 | 8.55  |
| 6        | 320 | 304 | 10.10 |
| 7        | 370 | 354 | 11.65 |
| 8        | 420 | 404 | 13.20 |



Designation code :

MR . K - 3 - \* . G . P . AB

MECABOR

Bottom ports

CETOP 3

Station number

Pressure test points  
on A and B

G : ports BSP