

TWO-WAY, SOLENOID OPERATED, PILOTED POPPET, CARTRIDGE VALVE



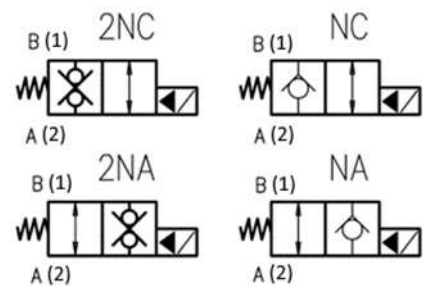
Characteristics

TYPE	MAX FLOW	WORKING PRESSURE	WEIGHT (VASL) (Without coil)	WEIGHT (VASC) (Without coil)	Locking torque
VAS-**-08	40 lt./min.	Max. 350 Bar	Kg. 0.8	Kg. 0.13	Nm 39-51

Description

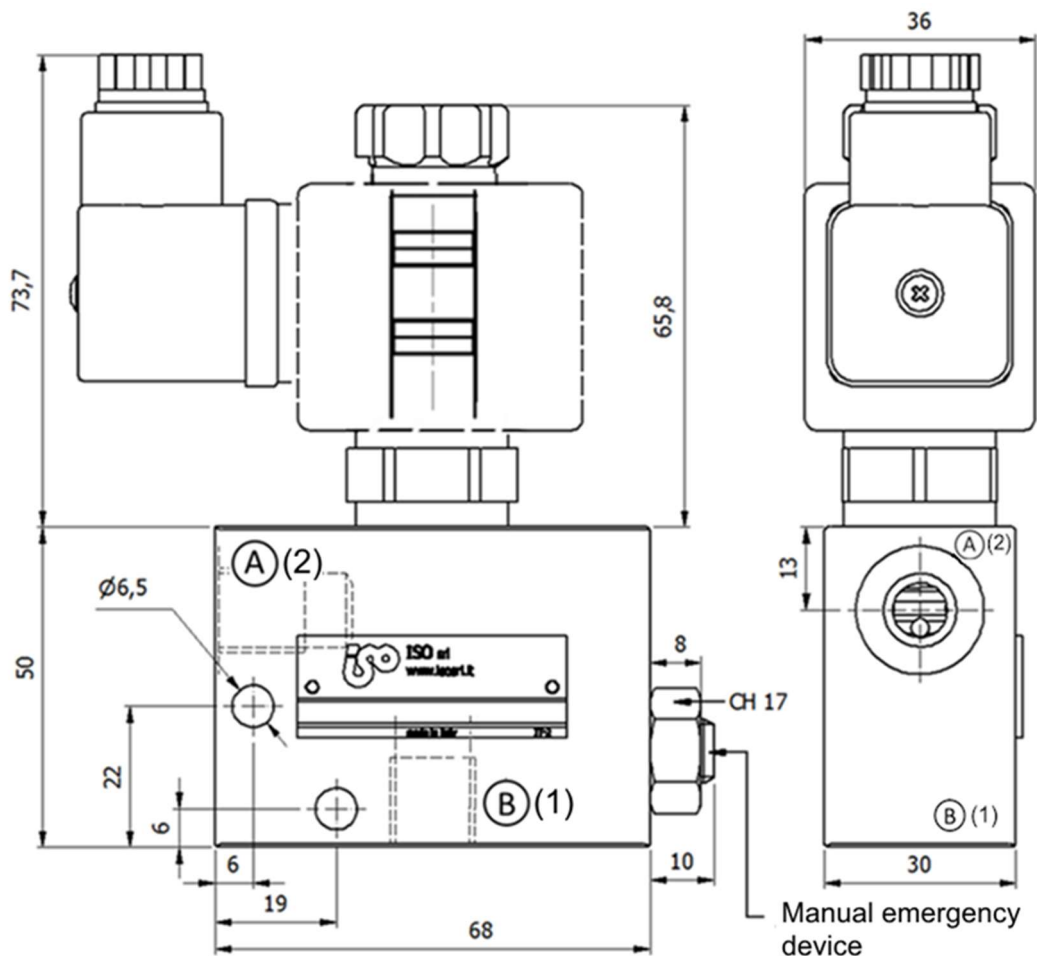
Two-way, solenoid operated, piloted poppet, cartridge valves, NA (normally open) and NC (normally closed) version, with single or double check. They can be supplied with in-line body or as a cartridge (Cavity SAE-08) to be used mounted on integrated manifolds.

Symbol



Dimensions

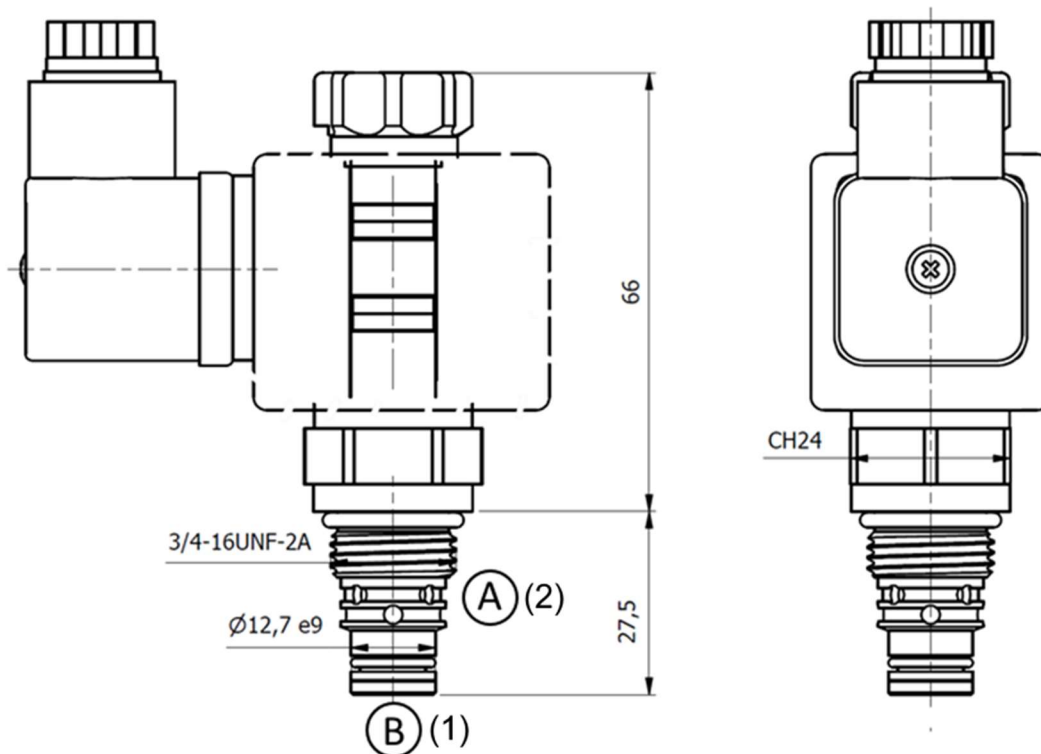
VASL



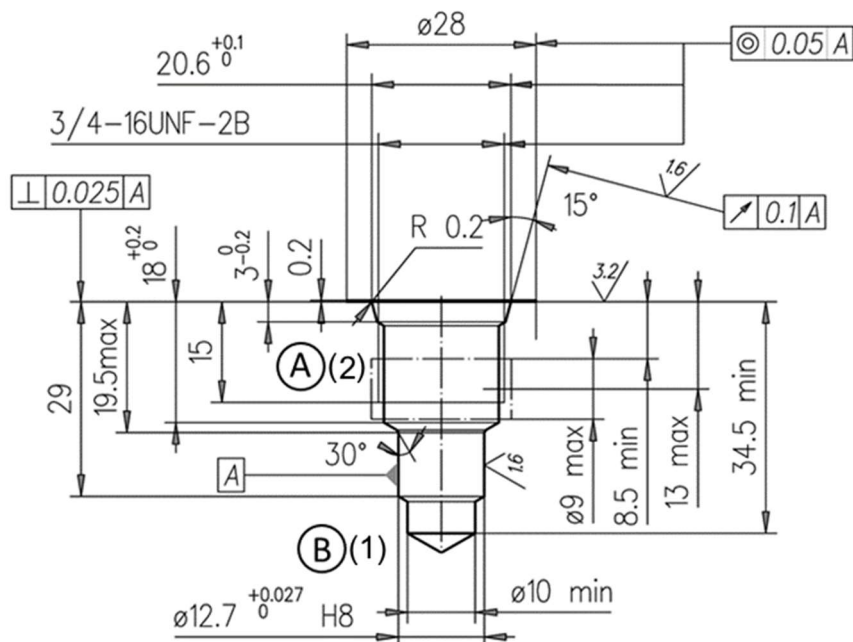
TWO-WAY, SOLENOID OPERATED, PILOTED POPPET, CARTRIDGE VALVE



VASC



Cavity SAE-08



Installation rules

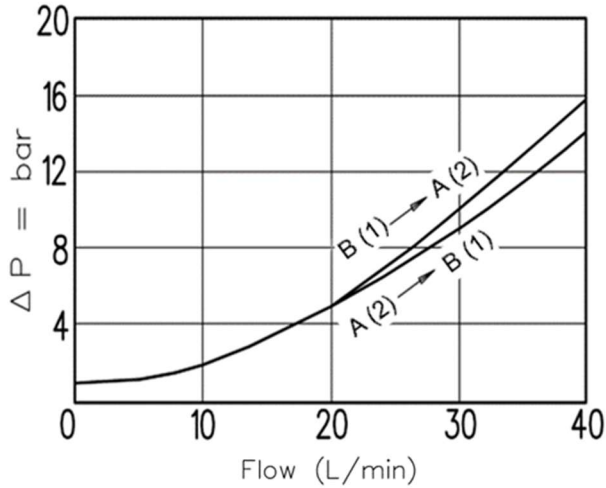
- The valves VAS can be mounted in any direction
- Fluid to be used: hydraulic oil according to DIN 51524 with viscosity between 30 and 100 mm²/s (cSt) at 40°C
- Requested filtration degree: 25µ
- Hydraulic fluid temperature: from -20°C to +75°C

TWO-WAY, SOLENOID OPERATED, PILOTED POPPET, CARTRIDGE VALVE

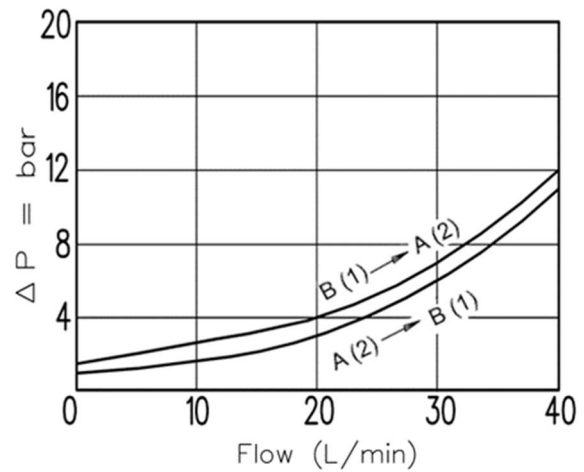


Diagramm

NA e NC



2NA e 2NC



Testing conditions :

- Fluid viscosity : VG46
- Fluid filtration : ISO 4406 15/13/11
- Fluid temperature: 40° C

Coils :

Electric characteristics

Code	Tension (V)	Current (A)		Protection Class	Power supply voltage variation	Ambient Temperature	Connection	Weight
		De-energized coil	Energized coil	winding insulation				
CVAS24R	24V RAC	0,95	0,63	Class H	+10% -10% Vnom	- 20 +50 °C	DIN-43650 ISO - 4400	0,22 Kg
CVAS110R	110V RAC	0,19	0,14					
CVAS220R	220V RAC	0,09	0,07					
CVAS10DC	10VDC	1,98	1,28					
CVAS12DC	12VDC	1,66	1,06					
CVAS14DC	14VDC	1,48	0,96					
CVAS20DC	20VDC	0,99	0,65					
CVAS24DC	24VDC	0,88	0,53					
CVAS26DC	26VDC	0,77	0,52					
CVAS28DC	28VDC	0,71	0,5					
CVAS36DC	36VDC	0,56	0,36					
CVAS48DC	48VDC	0,45	0,28					

TWO-WAY, SOLENOID OPERATED, PILOTED POPPET, CARTRIDGE VALVE



Ordering code

V	A	S	*	-	*	*	*	-	*	*	*	-	*	*	*	*	*	/	*																	
Two-way, solenoid operated, piloted poppet																																				
<p>C = cartridge type L = in-line body</p> <p>Type :</p> <p>NA = Normally open NC = Normally closed 2NA = Normally open - double check 2NC = Normally closed - double check</p> <p>Ports (VASL) / Size (VASC)</p> <table border="0"> <tr> <td>VASL</td> <td>VASC</td> </tr> <tr> <td>14 = G 1/4" (A-B)</td> <td>08 = SAE-08</td> </tr> <tr> <td>38 = G 3/8" (A-B)</td> <td></td> </tr> </table> <p>Tension :</p> <table border="0"> <tr> <td>24R = 24V RAC</td> <td>20DC = 20VDC</td> </tr> <tr> <td>110R = 110V RAC</td> <td>24DC = 24VDC</td> </tr> <tr> <td>220R = 220V RAC</td> <td>26DC = 26VDC</td> </tr> <tr> <td>10DC = 10VDC</td> <td>28DC = 28VDC</td> </tr> <tr> <td>12DC = 12VDC</td> <td>36DC = 36VDC</td> </tr> <tr> <td>14DC = 14VDC</td> <td>48DC = 48VDC</td> </tr> </table> <p>Device for switching control:</p> <p>omit if = no manual override (standard)</p> <p>P = Push manual override (NA,2NA) T = Push and twist manual override (NA,2NA) M = Screw-out manual override (NC,2NC)</p> <p>Seals:</p> <p>omit if = NBR (standard)</p> <p>F = FKM (temp. - 20 °C + 80° C)</p>			VASL	VASC	14 = G 1/4" (A-B)	08 = SAE-08	38 = G 3/8" (A-B)		24R = 24V RAC	20DC = 20VDC	110R = 110V RAC	24DC = 24VDC	220R = 220V RAC	26DC = 26VDC	10DC = 10VDC	28DC = 28VDC	12DC = 12VDC	36DC = 36VDC	14DC = 14VDC	48DC = 48VDC																
VASL	VASC																																			
14 = G 1/4" (A-B)	08 = SAE-08																																			
38 = G 3/8" (A-B)																																				
24R = 24V RAC	20DC = 20VDC																																			
110R = 110V RAC	24DC = 24VDC																																			
220R = 220V RAC	26DC = 26VDC																																			
10DC = 10VDC	28DC = 28VDC																																			
12DC = 12VDC	36DC = 36VDC																																			
14DC = 14VDC	48DC = 48VDC																																			
			<table border="1"> <tr> <td>(STD)</td> <td></td> <td>T</td> <td></td> </tr> <tr> <td>P</td> <td></td> <td>M</td> <td></td> </tr> </table>																	(STD)		T		P		M										
(STD)		T																																		
P		M																																		

Ordering example :

- VASC-NA-08-24DC
- VASL-NC-38-110R