

DWMG6 型手动换向阀

DWMG6 SERIES MANUALLY OPERATED DIRECTIONAL VALVES



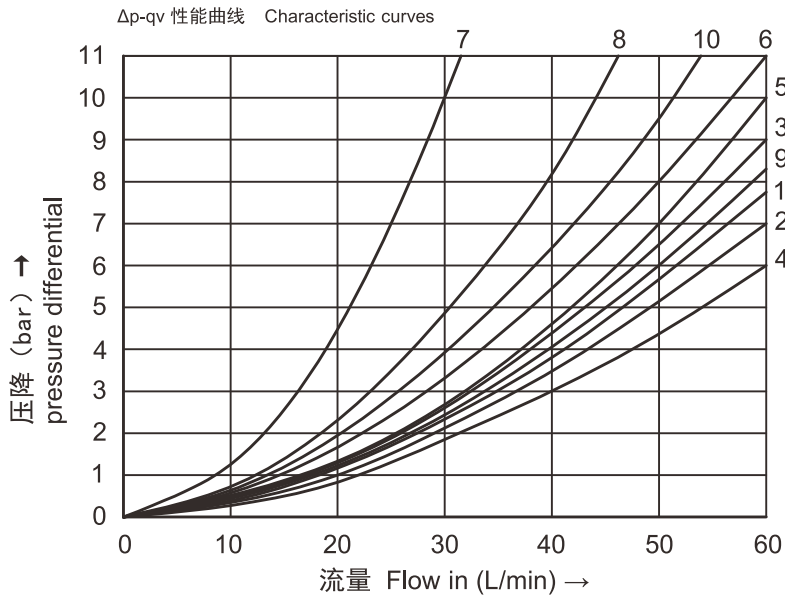
DWMG6 型手动换向阀是通过手柄的操作使阀芯做轴向移动，从而对油路进行切换的直动式换向阀，采用定位器或弹簧复位装置。

DWMG6 series manually operated directional valves are direct type directional valves ,It can control the start ,stop & direction of fluid flow. This series with detent or return spring are available.

▶ 技术参数 Technical data

通径 Size	6
流量 Flow rate(L/min)	60
工作压力 (Mpa)Operating pressure(Mpa)	A、B、P 油口 31.5T 油口 16/A、B、P oilports 31.5 T oil ports16
重量 (千克) Weight(KGS)	1.5
阀体 (材料) 表面处理 Valve body (Material) Surface treatment	铸件 表面磷化处理 casting phosphating surface
油液清洁度 /Oilcleanliness	NAS1638 9 级和 ISO4406 20/18/15 级 NAS1638 class 9 and ISO4406 class 20/18/15

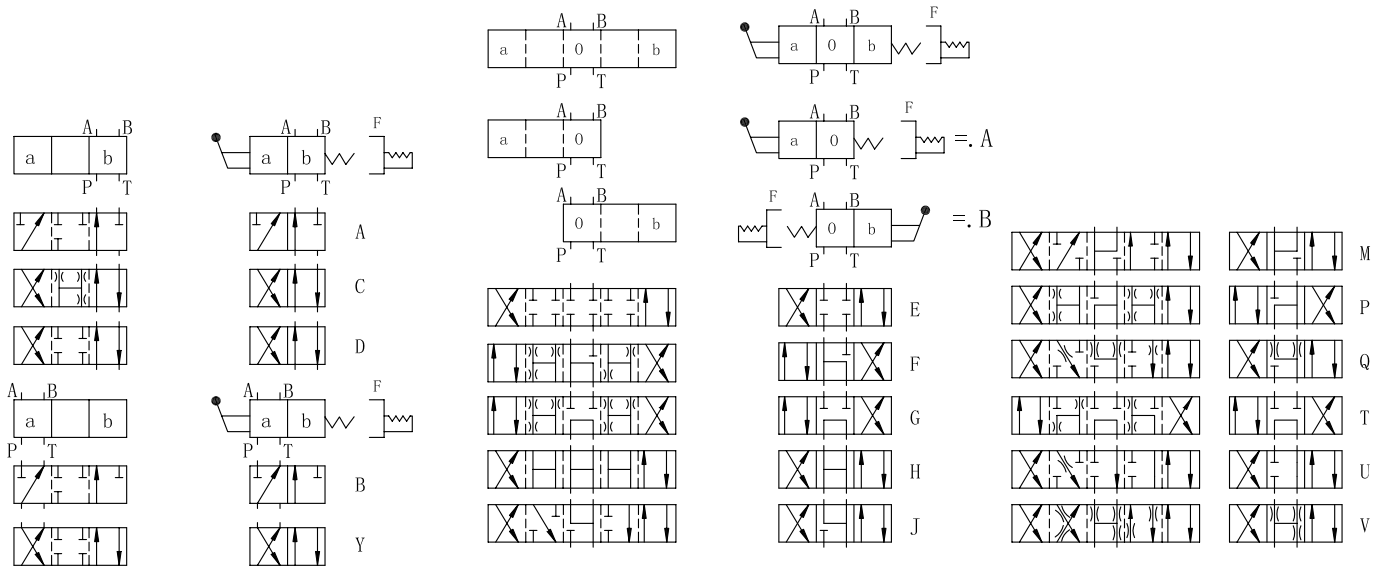
特性曲线 Characteristic curves DWMG6



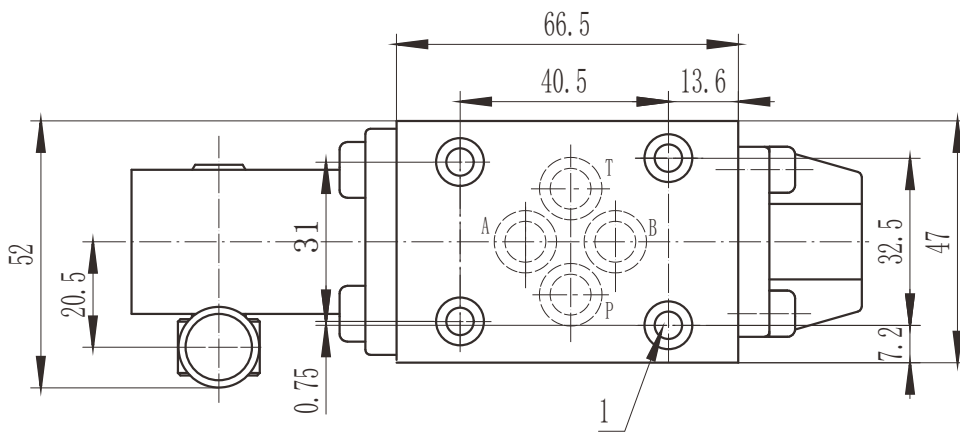
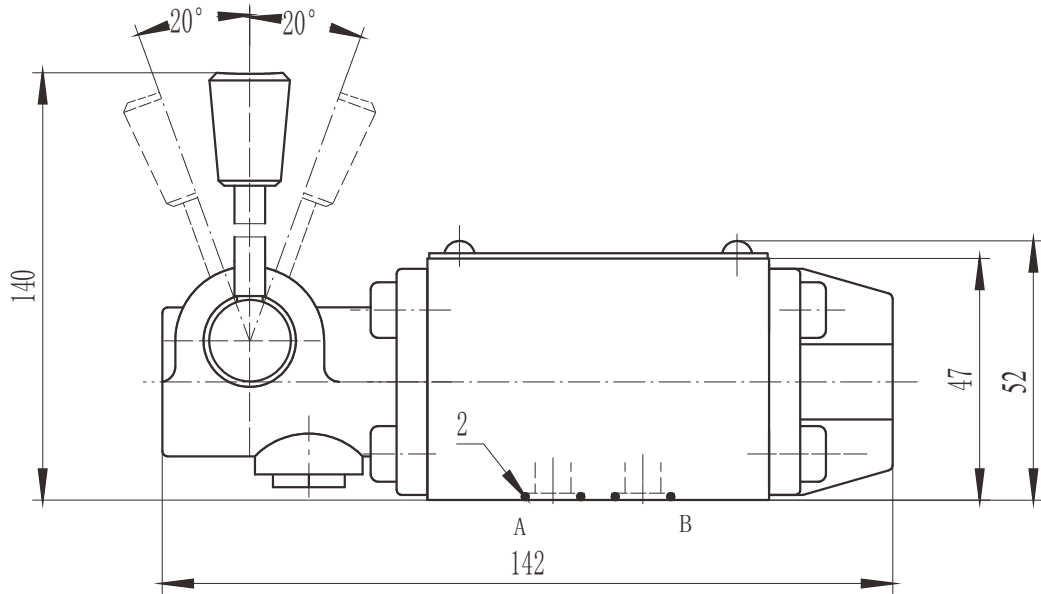
机能符号 Spool symbol	切换位置 Spool position			
	P-A	P-B	A-T	B-T
A	3	3	-	-
B	3	3	-	-
C	1	1	3	1
D	5	5	3	3
E	3	3	1	1
F	1	3	1	1
G	6	6	9	9
H	2	4	2	2
J	1	1	2	1
M	2	4	3	3
P	3	1	1	1
Q	1	1	2	1
T	10	10	9	9
U	3	3	9	4
V	1	2	1	1
Y	5	5	3	3

- 7 机能符号"R" 处于控制位置b (A→B)
Symbol "R" in spool position "b" (A → B)
- 8 机能符号"G" 和"T"处于中位 (P→T)
Symbols "G" and "T" in central position (P → T)

DWMG6 机能符号 DWMG6 Spool symbols



DWMG6 外型尺寸 DWMG6 Overall Dimensions



- 1、阀固定螺丝
4个 M5X50 GB/T70.1-12.9 级
拧紧扭矩 Ma=9Nm
- 2、O型圈 12.3X1.9
1. Valve's set screw
4 of M5x50 GB/T70.1-12.9
Tightening torque Ma=9Nm.
2. O-ring ϕ 12.3 x 1.9

4	DWMG	6	E	50	/	F	*	*
---	------	---	---	----	---	---	---	---

3=三油口
4=四油口
3=3 Oil ports
4=4 Oil ports

型号
Model

通径 :6
Size :6

机能符号
Spool type

附加说明
For further details

无 = 丁晴橡胶
V= 氟橡胶
No code =NBR seals
V=FPM seals

无=弹簧复位 F=带定位器
No code= Spring return
F=With detent

系列号
6通径=50
Series number
Size 6 =50