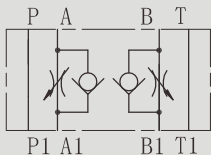


Z2FDS 型叠加式双单向节流阀

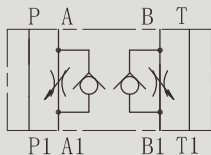
Z2FDS SERIES DOUBLE THROTTLE CHECK VALVES



符号 SYMBOL



Z2FDS/S



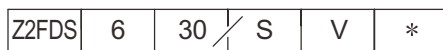
Z2FDS/S2

Z2FDS 型叠加式双单向节流阀通过改变节流口断面大小来调节油路流量，从而实现流量控制，在反向时，液压油直接通过单向阀回油。

Z2FDS series double throttle/check valves are used to restrict flow in one direction while allowing free-flow in the opposite direction as check valves.

▶ 技术参数 Technical data

通径 Size	6	10	16	22
工作压力 (MPa) Operating pressure (MPa)	31.5	31.5	31.5	31.5
流量 (L/min) Flow rate (L/min)	80	160	250	350
介质温度范围 (°C) Fluid temperature range (°C)	-30 ~ 80 °C	-30 ~ 80 °C	-30 ~ 80 °C	-30 ~ 80 °C
重量 (千克) Weight (KGS)	1	2.2	4.7	8
阀体 (材料) 表面处理 Valve body (Material) Surface treatment	铸件 表面磷化处理 casting phosphating surface			
油液清洁度 /Oil cleanliness	NAS1638 9 级和 ISO4406 20/18/15 级 NAS1638 class 9 and ISO4406 class 20/18/15			



型号
Model

通径: 6 ; 10 ; 16 ; 22
Size: 6,10,16,22

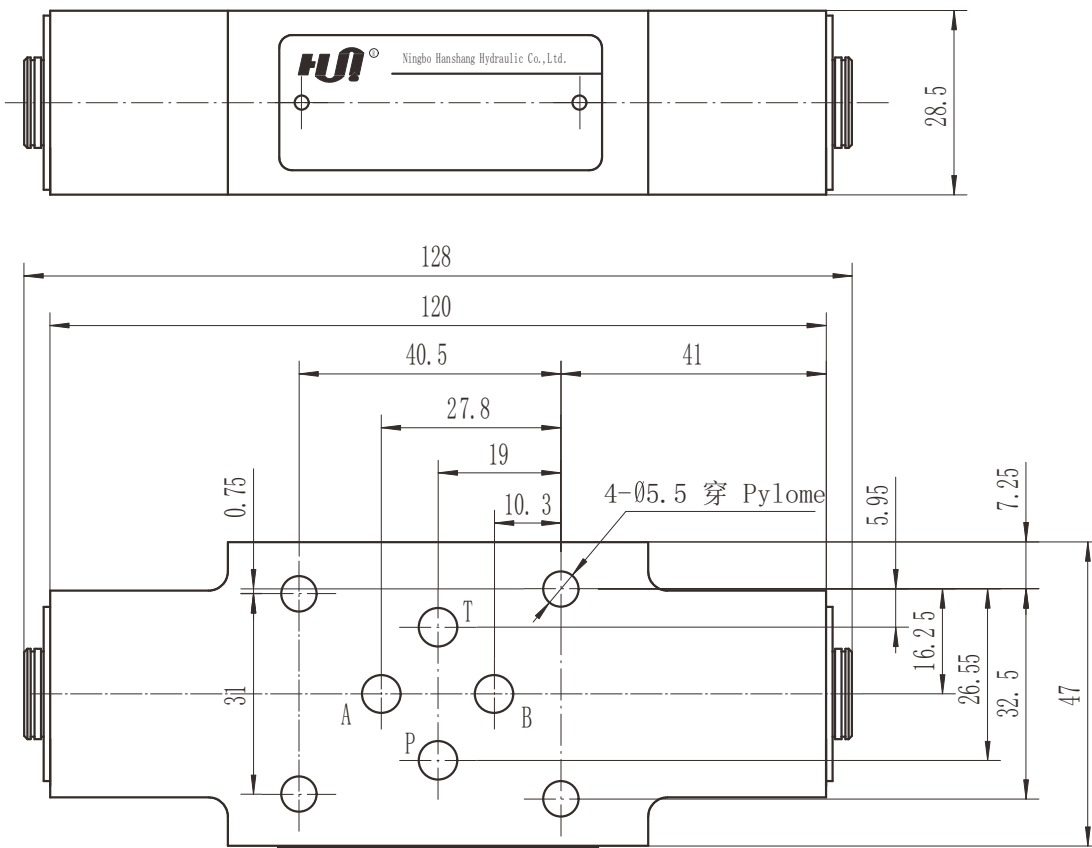
系列号 30 = 通径6、16、22 ; 20 = 通径 10
Series number 30=Size 6,16,22 ; 20=Size 10

附加说明
For further details

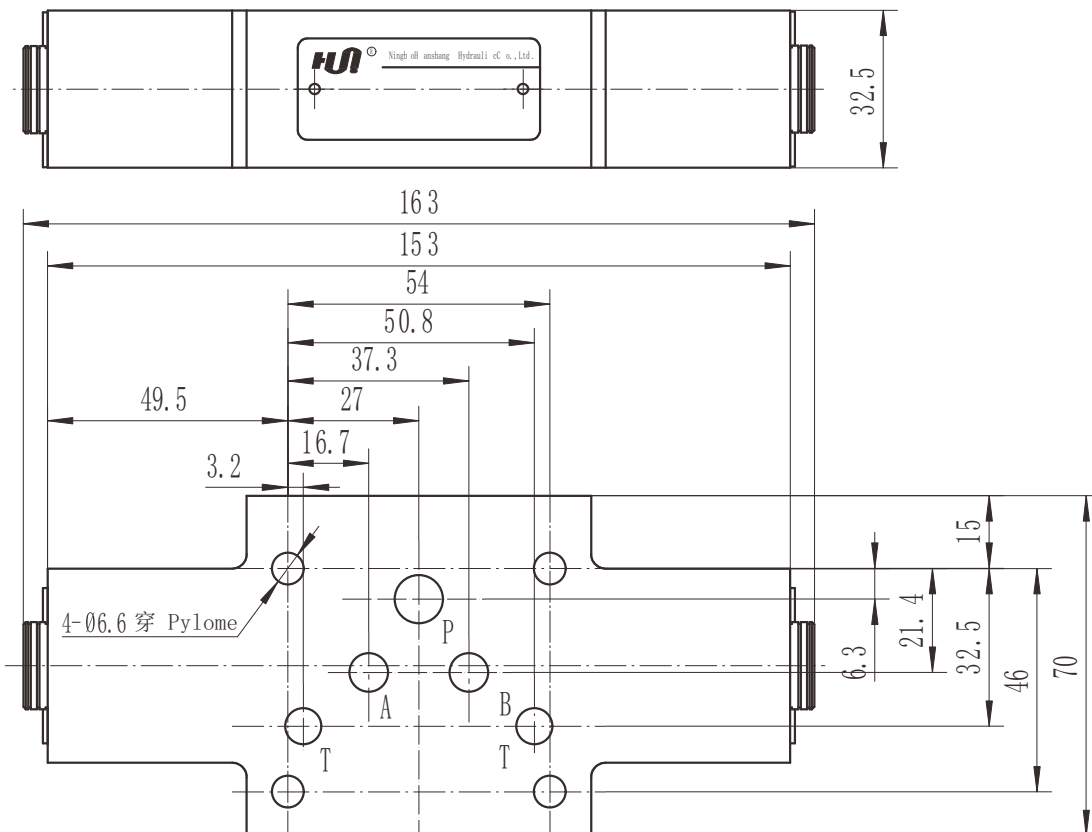
无 = 丁晴橡胶
V = 氟橡胶

No code = NBR seals for petroleum oils
V = FPM seals for phosphate ester

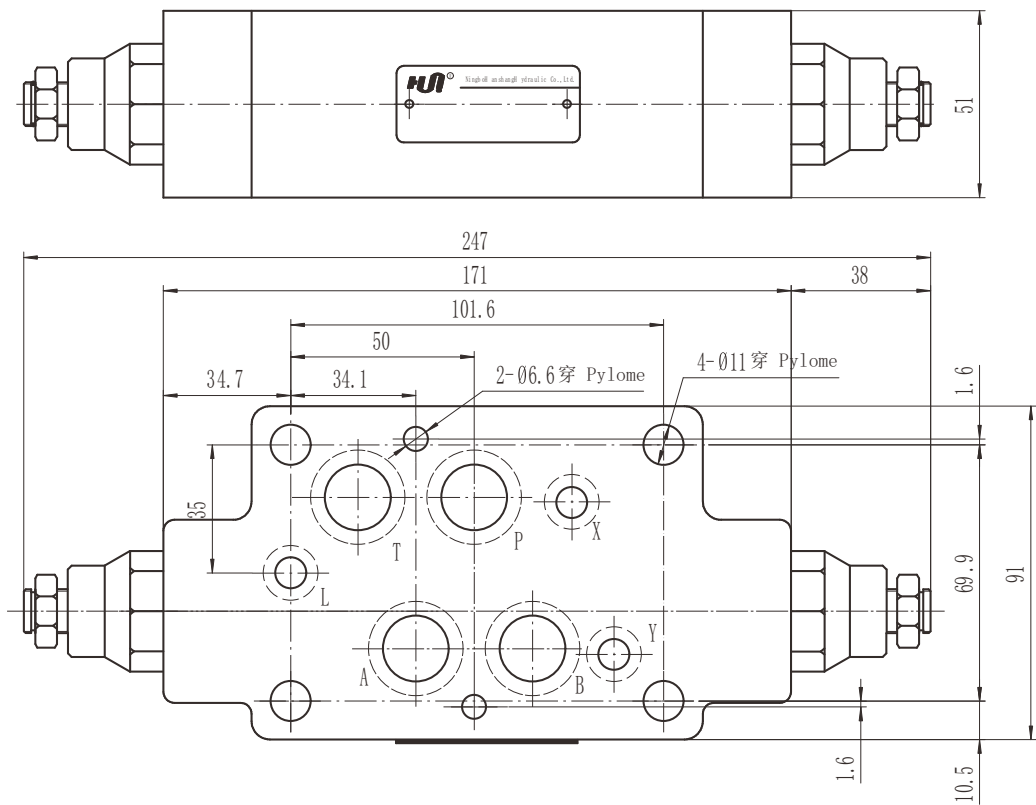
S = 进口节流 ; S2 = 出口节流
S = Meter-in control ; S2 = Meter-out control



► Z2FDS10 外形尺寸和安装 Z2FDS10 External Dimensions and Fittings



▶ Z2FDS16 外形尺寸和安装 Z2FDS16 External Dimensions and Fittings



▶ Z2FDS22 外形尺寸和安装 Z2FDS22 External Dimensions and Fittings

