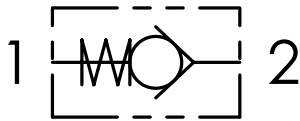


SCHEMA IDRAULICO / HYDRAULIC CIRCUIT

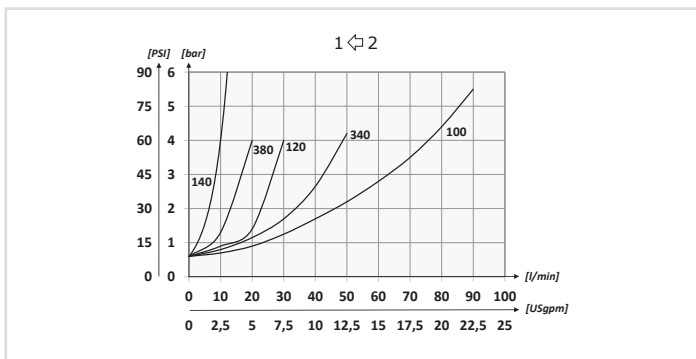


**CODICE ORDINAZIONE**  
ORDERING CODE

01	02	03	04
<b>VUN</b>			

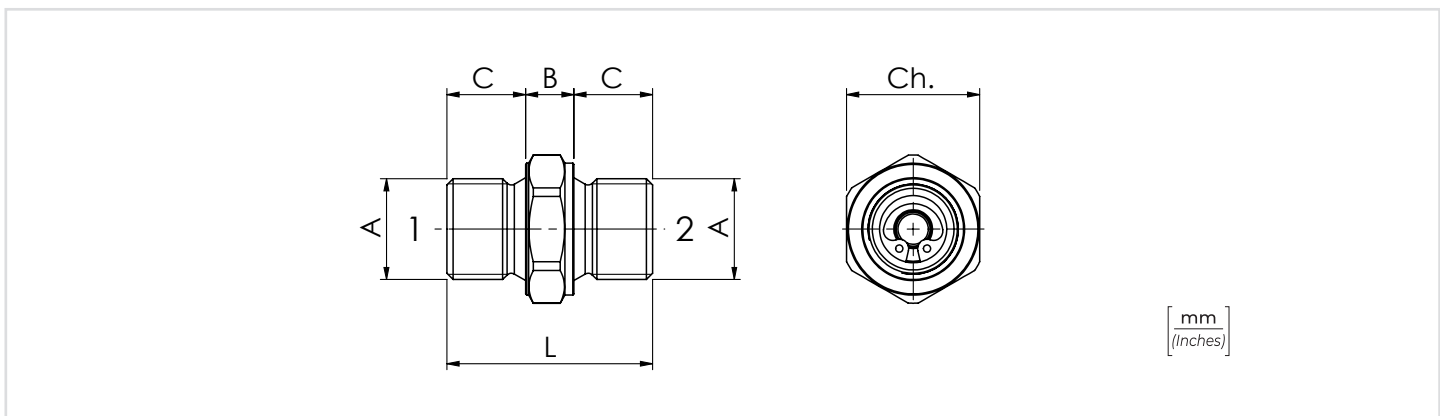
<b>01</b>	VALVOLE UNIDIREZIONALI M/M (M/M CHECK VALVES)	<b>VUN</b>	
<b>02</b>	DIMENSIONE (SIZE)	BSPP 1/4	<b>140</b>
		BSPP 3/8	<b>380</b>
		BSPP 1/2	<b>120</b>
		BSPP 3/4	<b>340</b>
		BSPP 1	<b>100</b>
<b>03</b>	TENUTA (SEALING)	Tenuta a sfera solo per VUN140/380/120 e molla 0,5 bar (Ball sealing only for VUN140/380/120 and spring 0,5 bar)	<b>SF</b>
		Tenuta a cono (Poppet sealing)	<b>SP</b>
<b>04</b>	MOLLA (SPRING)	0,5 bar Standard (7.25 PSI)	<b>0,5</b>
		3 bar (43.5 PSI)	<b>3</b>
		4,5 bar (65.25 PSI)	<b>4,5</b>
		6 bar (87 PSI) - Not for VUN140	<b>6</b>

**PERFORMANCES**



**DATI TECNICI / TECHNICAL DATA**

<b>Olio idraulico</b> - Mineral oil	<b>ISO 6743/4</b> (DIN 51524)
<b>Viscosità olio</b> - Oil viscosity	<b>15-250 mm²/s</b> (15 to 250 cSt)
<b>Classe di contaminazione max</b> Max contamination index	<b>ISO 4406:1999 Classe 19/17/14</b>
<b>Temperatura dell'olio</b> - Oil temperature	<b>-20°C +80°C</b> -4°F +176°F
<b>Temperatura ambiente</b> - Environment temperature	<b>-20°C +50°C</b> -4°F +122°F
<b>È indispensabile l'utilizzo di un filtro per proteggere la valvola (filtrazione consigliata 15 µm)</b> It is necessary a filter use to protect the valve (advised filtration 15 µm)	
<b>Trafilamento massimo</b> Max leakage	<b>0,25 cm³/min - 5 gocce/min</b> 0,015 in³/min - 5 drops/min



**CARATTERISTICHE TECNICHE / TECHNICAL CHARACTERISTICS**

CODICE CODE	A	PORTATA MAX MAX FLOW l/min-USgpm	PRESSIONE MAX MAX PRESSURE bar-PSI	L	B	C	Ch.	COPPIA DI SERRAGGIO TIGHTENING TORQUE Nm-lbt ft	COPPIA MAX DI SERRAGGIO TUBO (Nm) MAX TIGHTENING TORQUE FOR HOSE (lbt in)	PESO APPROX APPROX WEIGHT kg - (lbt)
VUN140	BSPP 1/4	5 (1.3)	500 (7250)	29 (0.28)	7 (1.27)	11 (0.43)	19	30 (22.2)	20 (14.75)	0,03 (0.066)
VUN380	BSPP 3/8	15 (4)		34 (1.34)	8 (0.31)	13 (0.51)	22	45 (33.2)	35 (25.8)	0,05 (0.01)
VUN120	BSPP 1/2	30 (7.9)		44 (1.73)	16 (0.63)	14 (0.55)	27	60 (44.3)	50 (36.8)	0,11 (0.24)
VUN340	BSPP 3/4	50 (13.2)		50 (1.97)	16 (0.63)	17 (0.67)	32	100 (73.75)	90 (66.3)	0,18 (0.40)
VUN100	BSPP 1	90 (23.8)		57 (2.24)	19 (0.75)	19 (0.75)	41	140 (103.3)	120 (88.5)	0,32 (0.71)